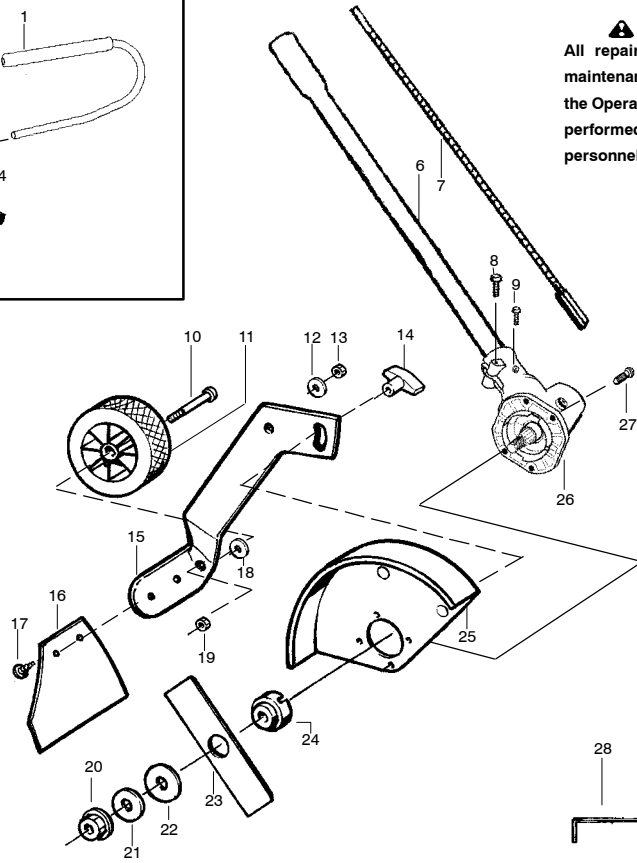
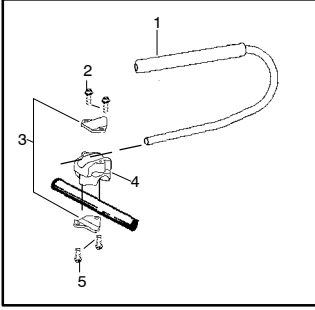


# REPAIR PARTS

## Sears Craftsman Convertible Edger Attachment - Model 358.792403



### ⚠ WARNING

All repairs, adjustments and maintenance not described in the Operator's Manual must be performed by qualified service personnel.

Ref.	Part No.	Description	Ref.	Part No.	Description
1.	530071394	Assy.-Handlebar (incl. grip, cap, decal)	17.	530053012	Fastener-Mud Flap
2.	530015886	Screw	18.	530092062	Washer
3.	530058563	Bracket-Clamp	19.	530015515	Locknut
4.	---	Clamp-Handlebar	20.	530015793	Nut-Flange
	530058766	(7/8")	21.	530016240	Washer-Belleville
	530058765	(1")	22.	530015792	Washer-Flat
5.	530015886	Screw	23.	71-85719	Blade
6.	530071911	Assy.-Driveshaft	24.	530054623	Dustcup
7.	530096183	Flexshaft-Split boom	25.	530071384	Kit-Edger Guard
8.	530016014	Screw	26.	530071586	Assy.-Gearbox
9.	530016224	Screw-Alignment	27.	530016312	Screw
10.	530015981	Bolt-Shoulder Axle	28.	530031159	Wrench-Hex (5/32")
11.	530095125	Wheel		Not Shown	
12.	530092062	Washer		530164970	Manual
13.	530015515	Locknut		530095894	Hanger-Attachment
14.	530092059	Knob		530059836	Decal-Shaft Warning
15.	530053009	Bracket-Wheel		530053138	Decal-Guard Warning
16.	530071251	Kit-Mud Flap (incl.#18)			