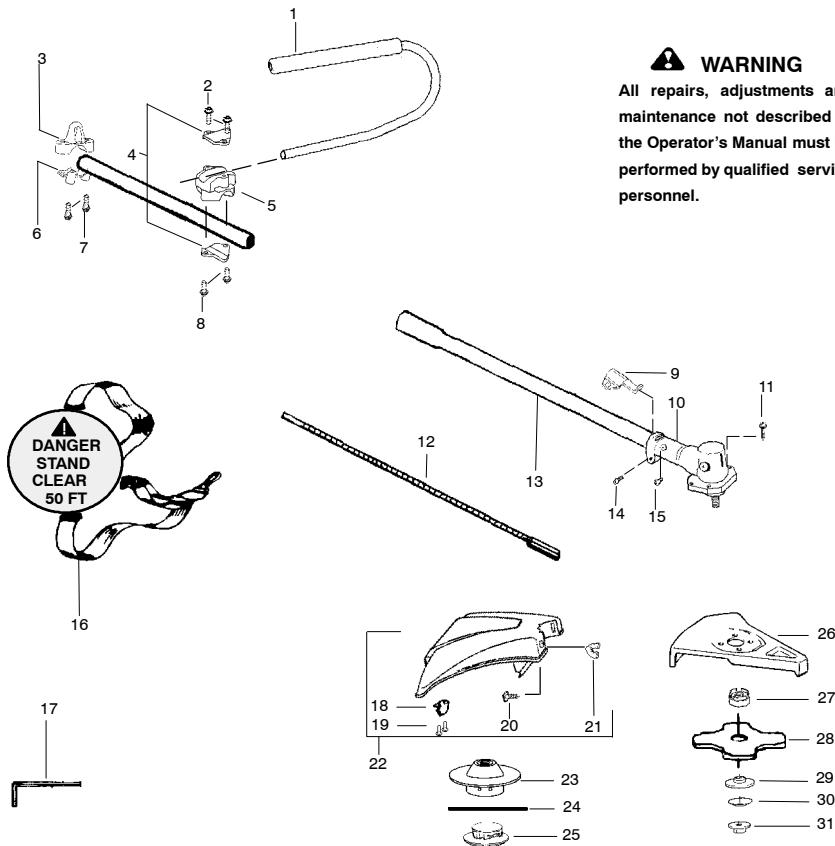


# REPAIR PARTS

## Sears Craftsman Convertible Brushcutter Attachment - Model 358.792443



### WARNING

All repairs, adjustments and maintenance not described in the Operator's Manual must be performed by qualified service personnel.

Ref.	Part No.	Description	Ref.	Part No.	Description
1.	530071394	Assy-Handlebar (incl. grip,cap,decal)	19.	530015805	Screw
2.	530015886	Screw	20.	530015820	Bolt
3.	530055392	Clamp-Harness Upper	21.	530016152	Wingnut
4.	530058563	Bracket-Clamp	22.	530069779	Kit-Shield
5.	----	Clamp-Handlebar (7/8")	23.	71-85740	Head-Cutting
	530058766	(1")	24.	----	Line-Twisted
	530058765			71-85908	Red Line
6.	530055395	Clamp-Harness Lower		71-85909	Black Line
7.	530016406	Screw	25.	530096039	Plate-Glide
8.	530015886	Screw	26.	530071383	Kit-Blade Shield
9.	530095812	Clamp-Shield	27.	530095815	Dust cup - Blade
10.	530071585	Assy-Gearbox	28.	530055892	Assy-Weed Blade (20mm)
11.	530016312	Screw	29.	530095816	Washer-Blade Retaining
12.	530096183	Flexshaft-Split boom	30.	530016240	Washer-Belleville
13.	530071906	Assy-Driveshaft	31.	530015793	Nut-Flange
14.	530016014	Screw			Not Shown
15.	530016224	Screw-Alignment		530164972	Manual
16.	530094408	Assy-Shoulder Strap		530095894	Hanger-Attachment
17.	530031159	Wrench-Hex (5/32")		530059831	Decal-Shaft Warning
18.	530052285	Limiter-Line		530056335	Decal-Blade Direction