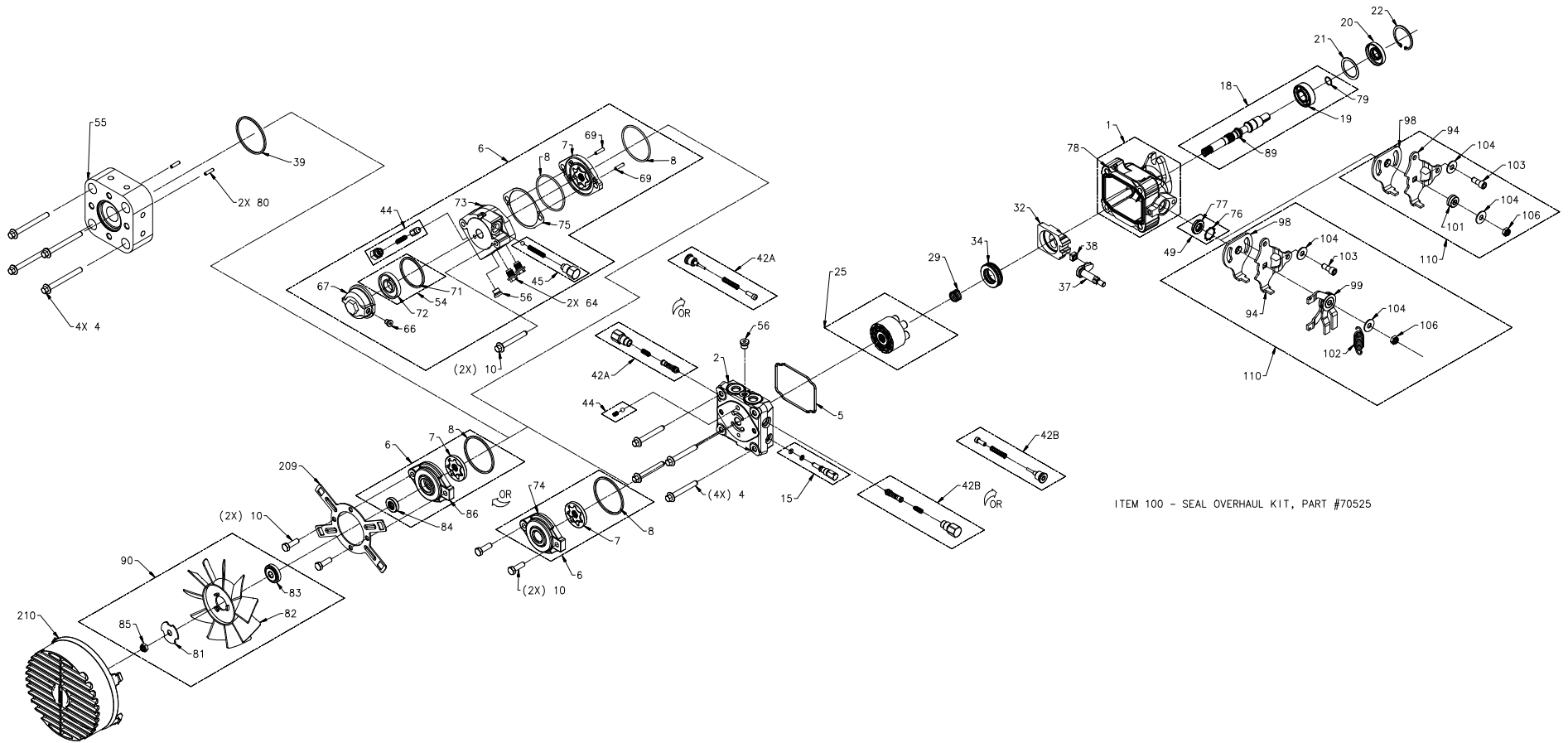


PC SERIES SERVICE SCHEMATIC



ITEM 100 - SEAL OVERHAUL KIT, PART #70525

PC SERIES SERVICE SCHEMATIC

MODEL NUMBER:

| | | | | | | | | | | | | | | | | |
|---|---|---|---|---|---|---|---|---|---|---|----|---|----|----|----|----|
| P | C | - | * | | * | * | - | | | | | - | | | | |
| 1 | 2 | - | 3 | 4 | 5 | 6 | - | 7 | 8 | 9 | 10 | - | 11 | 12 | 13 | 14 |

CHARACTER #:

INPUT SHAFT KITS

| CHARACTER 3 | ITEM # | COMPONENT # | DESCRIPTION | QTY | CONTAIN ITEMS: |
|-------------|--------|-------------|--|-----|----------------|
| A OR M | 18 | 71258 | KIT, PUMP SHAFT (1/2" KEYED, STD CHG) | 1 | 19, 79, 89 |
| B | | 71259 | KIT, PUMP SHAFT (1/2" KEYED, THRU CHG) | 1 | 19, 79, 89 |
| C OR N | | 71260 | KIT, PUMP SHAFT (9T, STD CHG) | 1 | 19, 79, 89 |

SHOCK VALVE KITS, *A* SIDE

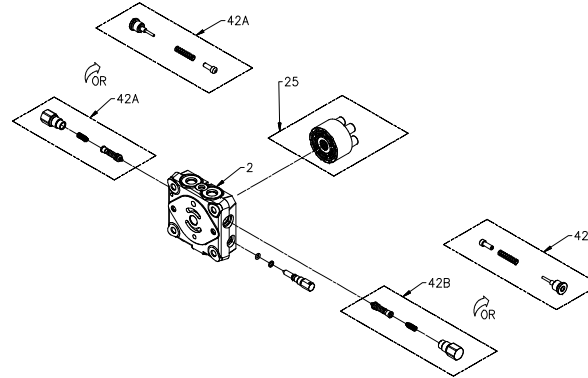
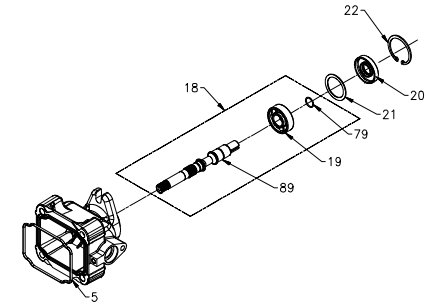
| CHARACTER 5 | ITEM # | COMPONENT # | DESCRIPTION | QTY |
|-------------|--------|-------------|---|-----|
| A | 42A | 70741 | KIT, SHOCK VALVE (200 BAR, BLANK ORIFICE) | 1 |
| B | | 70742 | KIT, SHOCK VALVE (200 BAR, .024 ORIFICE) | 1 |
| C | | 70743 | KIT, SHOCK VALVE (200 BAR, .031 ORIFICE) | 1 |
| D | | 70744 | KIT, SHOCK VALVE (200 BAR, .044 ORIFICE) | 1 |
| E | | 70836 | KIT, SHOCK VALVE (160 BAR, BLANK ORIFICE) | 1 |
| F | | 70837 | KIT, SHOCK VALVE (160 BAR, .024 ORIFICE) | 1 |
| G | | 70838 | KIT, SHOCK VALVE (160 BAR, .031 ORIFICE) | 1 |
| H | | 70839 | KIT, SHOCK VALVE (160 BAR, .044 ORIFICE) | 1 |
| J | | 70840 | KIT, SHOCK VALVE (120 BAR, BLANK ORIFICE) | 1 |
| K | | 70841 | KIT, SHOCK VALVE (120 BAR, .024 ORIFICE) | 1 |
| L | | 70842 | KIT, SHOCK VALVE (120 BAR, .031 ORIFICE) | 1 |
| M | | 70843 | KIT, SHOCK VALVE (120 BAR, .044 ORIFICE) | 1 |
| N | | 2510050 | KIT, CHECK VALVE (BLANK) | 1 |
| P | | 2510062 | KIT, CHECK VALVE (.024 ORIFICE) | 1 |
| Q | | 2510027 | KIT, CHECK VALVE (.031 ORIFICE) | 1 |
| R | | 2510034 | KIT, CHECK VALVE (.044 ORIFICE) | 1 |

SHOCK VALVE KITS, *B* SIDE

| CHARACTER 6 | ITEM # | COMPONENT # | DESCRIPTION | QTY |
|-------------|--------|-------------|---|-----|
| A | 42B | 70741 | KIT, SHOCK VALVE (200 BAR, BLANK ORIFICE) | 1 |
| B | | 70742 | KIT, SHOCK VALVE (200 BAR, .024 ORIFICE) | 1 |
| C | | 70743 | KIT, SHOCK VALVE (200 BAR, .031 ORIFICE) | 1 |
| D | | 70744 | KIT, SHOCK VALVE (200 BAR, .044 ORIFICE) | 1 |
| E | | 70836 | KIT, SHOCK VALVE (160 BAR, BLANK ORIFICE) | 1 |
| F | | 70837 | KIT, SHOCK VALVE (160 BAR, .024 ORIFICE) | 1 |
| G | | 70838 | KIT, SHOCK VALVE (160 BAR, .031 ORIFICE) | 1 |
| H | | 70839 | KIT, SHOCK VALVE (160 BAR, .044 ORIFICE) | 1 |
| J | | 70840 | KIT, SHOCK VALVE (120 BAR, BLANK ORIFICE) | 1 |
| K | | 70841 | KIT, SHOCK VALVE (120 BAR, .024 ORIFICE) | 1 |
| L | | 70842 | KIT, SHOCK VALVE (120 BAR, .031 ORIFICE) | 1 |
| M | | 70843 | KIT, SHOCK VALVE (120 BAR, .044 ORIFICE) | 1 |
| N | | 2510050 | KIT, CHECK VALVE (BLANK) | 1 |
| P | | 2510062 | KIT, CHECK VALVE (.024 ORIFICE) | 1 |
| Q | | 2510027 | KIT, CHECK VALVE (.031 ORIFICE) | 1 |
| R | | 2510034 | KIT, CHECK VALVE (.044 ORIFICE) | 1 |

GENERIC PARTS LISTING (ALL MODELS)

| ITEM # | COMPONENT # | DESCRIPTION | QTY |
|--------|-------------|--------------------------|-----|
| 5 | 52031 | HOUSING O-RING | 1 |
| 20 | 51161 | LIP SEAL 17 X 40 X 7 PTC | 1 |
| 21 | 50951 | SPACER | 1 |
| 22 | 50329 | RETAINING RING | 1 |
| 25 | 71169 | CYLINDER BLOCK KIT | 1 |



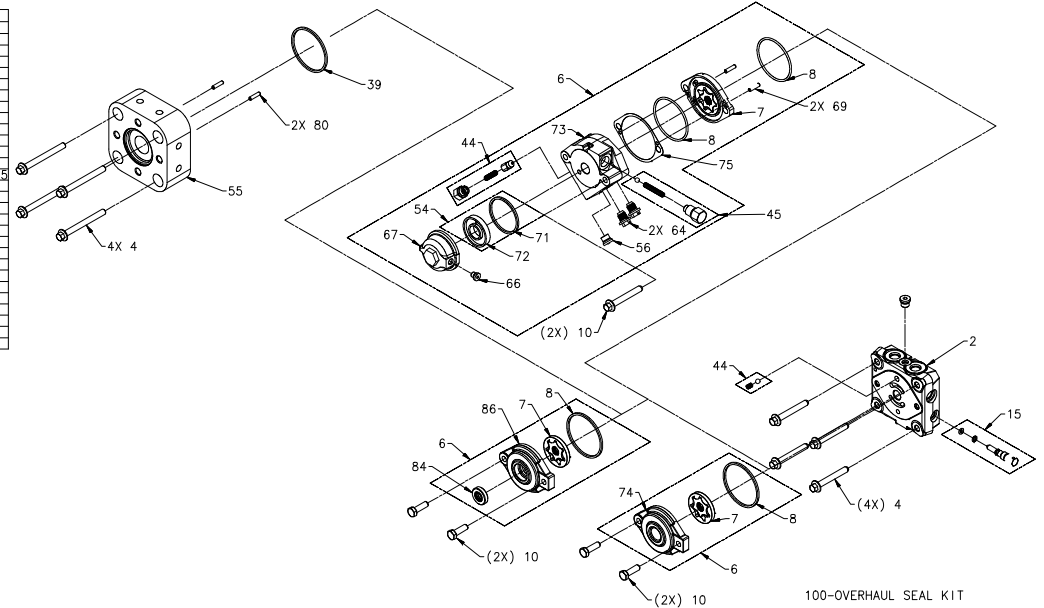
PC SERIES SERVICE SCHEMATIC

MODEL NUMBER:

CHARACTER #:

| | | | | | | | | | | | | | | | | | | | | |
|---|---|---|---|---|---|---|---|---|---|---|--|--|--|--|--|--|--|--|--|--|
| P | C | - | | | | | | | | | | | | | | | | | | |
| 1 | 2 | - | 3 | 4 | 5 | 6 | - | * | * | * | | | | | | | | | | |

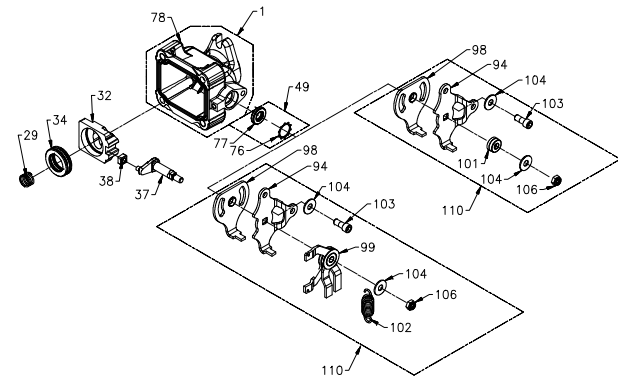
| CHAR 7 | CHAR 12 | ITEM # | COMPONENT # | DESCRIPTION | QTY | CONTAINS ITEMS: |
|--------|---------|--------|--------------|--|-----|--|
| | | 2 | 71257 | KIT, ENDCAP | 1 | 2 |
| | | 6 | 71281 | KIT, CHARGE PUMP (STD CHG) | 1 | 7, 8, 74 |
| | | 10 | 9007200-3116 | HCHS 5/16-18 X 1 | 2 | 10 |
| | | 44 | 70403 | CHARGE RELIEF VALVE KIT (BALL & SPRING) | 1 | 44 |
| M | X | 2 | 71682 | KIT, ENDCAP | 1 | 2 |
| | | 6 | 71281 | KIT, CHARGE PUMP (STD CHG) | 1 | 7, 8, 74 |
| | | 10 | 9007200-3116 | HCHS 5/16-18 X 1 | 2 | 10 |
| | | 44 | 70403 | CHARGE RELIEF VALVE KIT (BALL & SPRING) | 1 | 44 |
| M | A | 2 | 71257 | KIT, ENDCAP | 1 | 2 |
| | | 6 | 70622 | KIT, CHARGE PUMP (STD CHG), THRU | 1 | 7, 8, 84, 86 |
| | | 10 | 9007200-3116 | HCHS 5/16-18 X 1 | 2 | 10 |
| | | 44 | 70403 | KIT, CHARGE RELIEF VALVE (BALL & SPRING) | 1 | 44 |
| N | | 6 | 70577 | KIT, CHARGE PUMP (AUX CHG) | 1 | 7, 8, 44, 45, 56, 64, 66, 67, 69, 71, 72, 73, 75 |
| | | 10 | 9007200-3116 | HCHS 5/16-18 X 1 | 2 | 10 |
| H | | 2 | 71257 | KIT, ENDCAP | 1 | 2 |
| | | 6 | 71281 | KIT, CHARGE PUMP (STD CHG) | 1 | 7, 8, 84, 86 |
| | | 44 | 70403 | KIT, CHARGE RELIEF VALVE (BALL & SPRING) | 1 | 44 |
| A | | 2 | 71257 | KIT, ENDCAP | 1 | 2 |
| | | 6 | 71281 | KIT, CHARGE PUMP (STD CHG) | 1 | 7, 8, 84, 86 |
| | | 44 | 70403 | KIT, CHARGE RELIEF VALVE (BALL & SPRING) | 1 | 44 |
| E | | 2 | 71257 | KIT, ENDCAP | 1 | 2 |
| | | 6 | 71281 | KIT, CHARGE PUMP (STD CHG) | 1 | 7, 8, 74 |
| | | 10 | 9007200-3116 | HCHS 5/16-18 X 1 | 2 | 10 |
| | | 44 | 70403 | KIT, CHARGE RELIEF VALVE (BALL & SPRING) | 1 | 44 |
| | | 55 | 52422 | PLATE, ADAPTER (GEAR, AA) | 1 | 55 |
| | | 12 | 52407 | END CAP (PC, RG, OR PC + PC) | 1 | 12 |
| | | 4 | 52829 | SCREW, HEX FLANGE M8 X 1.25 X 80 | 4 | 4 |
| | | 39 | 51016 | O-RING | 1 | 39 |
| | | 80 | 50408 | PIN, STRAIGHT HEADLESS | 2 | 80 |



| CHAR 8 | ITEM # | COMPONENT # | DESCRIPTION | QTY | CONTAINS ITEMS: | |
|--------|--------|-------------|-------------|-------------------------------|-----------------|--------------------------------|
| | | 37 | 71256 | KIT, HOUSING | 1 | 78 |
| | | 110 | 50807 | ARM, TRUNNION, TAPERED SQUARE | 1 | 37 |
| | | 110 | 70784 | KIT, RIN | 1 | 94, 98, 99, 102, 103, 104, 106 |
| | | 37 | 71256 | KIT, HOUSING | 1 | 78 |
| | | 110 | 50807 | ARM, TRUNNION, TAPERED SQUARE | 1 | 37 |
| | | 110 | 70826 | KIT, CW RTN SCISSOR | 1 | 94, 98, 99, 102, 103, 104, 106 |
| | | 37 | 71256 | KIT, HOUSING | 1 | 78 |
| | | 110 | 50807 | ARM, TRUNNION, TAPERED SQUARE | 1 | 37 |
| | | 110 | 70827 | KIT, CW RIN SCISSOR | 1 | 94, 98, 99, 102, 103, 104, 106 |
| | | 37 | 71256 | KIT, HOUSING | 1 | 78 |
| | | 110 | 50807 | ARM, TRUNNION, TAPERED SQUARE | 1 | 37 |
| | | 110 | 70827 | KIT, CW RIN SCISSOR | 1 | 94, 98, 99, 102, 103, 104, 106 |
| | | 37 | 71256 | KIT, HOUSING | 1 | 78 |
| | | 110 | 50807 | ARM, TRUNNION, TAPERED SQUARE | 1 | 37 |
| | | 110 | 70827 | KIT, CW RIN SCISSOR | 1 | 94, 98, 99, 102, 103, 104, 106 |
| | | 37 | 71256 | KIT, HOUSING | 1 | 78 |
| | | 110 | 50807 | ARM, TRUNNION, TAPERED SQUARE | 1 | 37 |
| | | 110 | 70827 | KIT, CW RIN SCISSOR | 1 | 94, 98, 99, 102, 103, 104, 106 |
| | | 101 | 51604 | SPACER | 1 | 101 |
| | | 94 | 51384 | ARM, CONTROL | 1 | 94 |
| | | 151 | 44130 | WASHER | 1 | 151 |
| | | 1 | 71256 | KIT, HOUSING | 1 | 78 |
| | | 37 | 2003005 | ARM, TRUNNION, DOUBLE D | 1 | 37 |
| | | 1 | 71256 | KIT, HOUSING | 1 | 78 |
| | | 37 | 50807 | ARM, TRUNNION, TAPERED SQUARE | 1 | 37 |
| | | 37 | 50807 | ARM, TRUNNION, TAPERED SQUARE | 1 | 37 |
| | | 37 | 50807 | ARM, TRUNNION, TAPERED SQUARE | 1 | 37 |
| | | 110 | 71255 | KIT, RIN | 1 | 94, 98, 101, 103, 104, 106 |

| CHAR 9 | ITEM # | COMPONENT # | DESCRIPTION | QTY | CONTAINS ITEMS: | |
|--------|--------|-------------|-------------|---------------------------|-----------------|----|
| | | 15 | 71248 | KIT, BYPASS VALVE (BLANK) | 1 | 15 |

| ITEM # | COMPONENT # | DESCRIPTION | QTY | CONTAINS ITEMS: |
|--------|-------------|------------------------------------|-----|-----------------|
| | 4 | HEX FLANGE BOLT M8-1.25 x 60mm LG | 4 | 4 |
| | 29 | BLOCK SPRING | 1 | 29 |
| | 32 | SWASHPLATE | 1 | 32 |
| | 34 | BALL THRUST BEARING | 1 | 34 |
| | 38 | SCOT GUIDE | 1 | 38 |
| | 45 | 2510082 KIT, AUX RELIEF VALVE | 1 | 45 |
| | 49 | 2510084 TRUNNION SEAL/RETAINER KIT | 1 | 76, 77 |
| | 54 | AUXILIARY FILTER KIT | 1 | 54 |
| | 56 | 9005110-4400 PLUG, 7/16-20 (METAL) | 1 | 56 |
| | 66 | 9005110-3100 PLUG, 5/16-24 (METAL) | 1 | 66 |
| | 67 | COVER, FILTER | 1 | 67 |
| | 100 | 70525 OVERHAUL SEAL KIT | 1 | 100 |



PC SERIES SERVICE SCHEMATIC

MODEL NUMBER:

| | | | | | | | | | | | | | | | | |
|---|---|---|---|---|---|---|---|---|---|---|----|---|----|----|----|----|
| P | C | - | | | | | - | | | * | - | | | | | |
| 1 | 2 | - | 3 | 4 | 5 | 6 | - | 7 | 8 | 9 | 10 | - | 11 | 12 | 13 | 14 |

CHARACTER #:

FAN KITS

| CHARACTER 10 | ITEM # | COMPONENT # | DESCRIPTION | QTY | CONTAINS ITEMS: |
|--------------|--------|-------------|---------------------|-----|-----------------|
| X | | N/A | NONE | 0 | NONE |
| A | 90 | 71172 | KIT, HUB 6* FAN CCW | 1 | 81, 82, 83, 85 |
| B, D | 90 | 71172 | KIT, HUB 6* FAN CCW | 1 | 81, 82, 83, 85 |
| | 209 | 52016 | BRACKET, SHROUD | 1 | 209 |
| C, E | 90 | 71172 | KIT, HUB 6* FAN CCW | 1 | 81, 82, 83, 85 |
| | 209 | 52016 | BRACKET, SHROUD | 1 | 209 |
| | 210 | 52059 | SHROUD | 1 | 210 |
| Y | 90 | 70916 | KIT, HUB 7* FAN CCW | 1 | 81, 82, 83, 85 |
| | 209 | 52355 | BRACKET, SHROUD | 1 | 209 |
| | 210 | 52354 | SHROUD | 1 | 210 |
| Z | 90 | 71172 | KIT, HUB 6* FAN CCW | 1 | 81, 82, 83, 85 |
| | 209 | 52423 | BRACKET, SHROUD | 1 | 209 |
| | 210 | 52059 | SHROUD | 1 | 210 |

