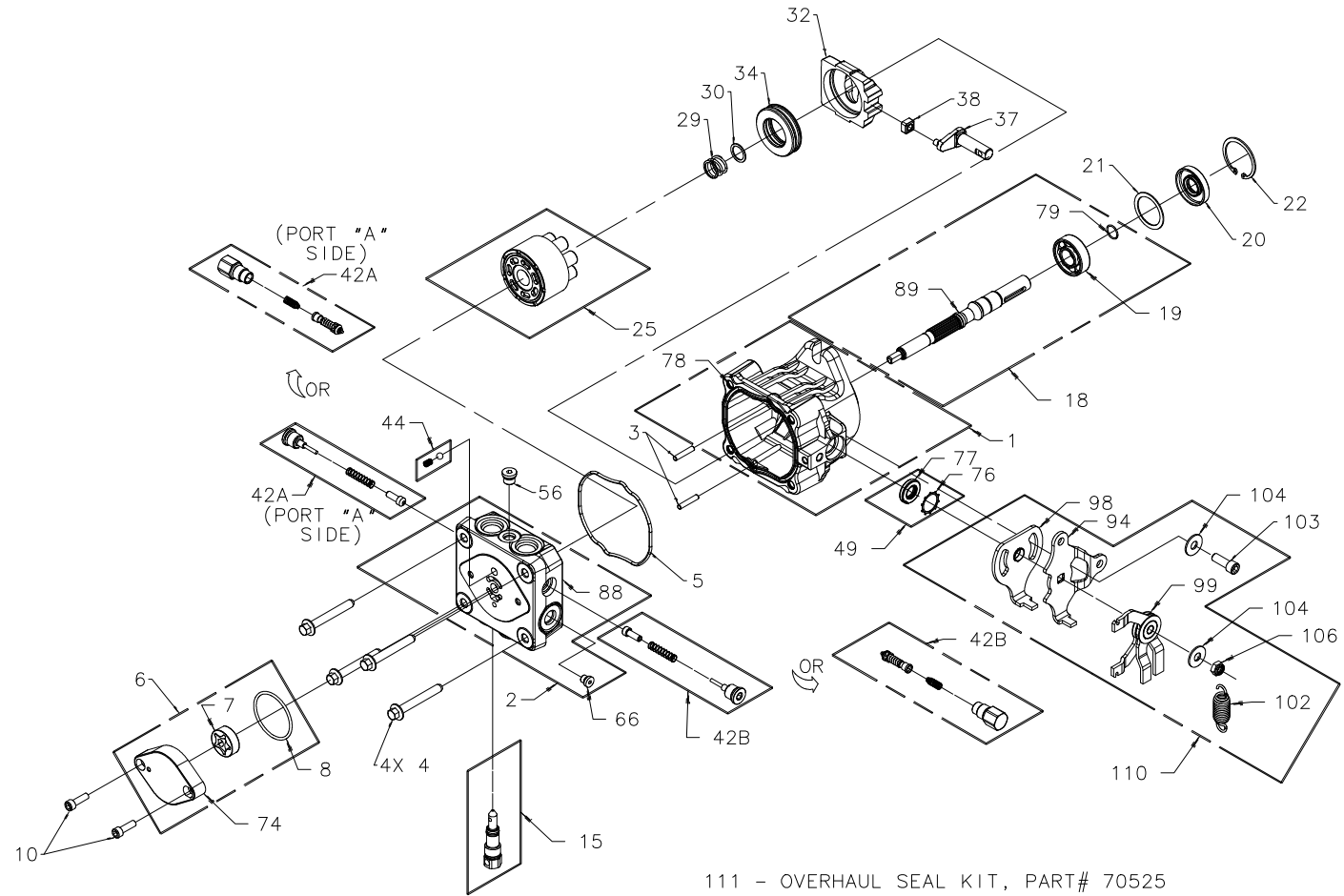


PE SERIES SERVICE SCHEMATIC



PE SERIES SERVICE SCHEMATIC

MODEL NUMBER:

P	E
---	---

 -

*			
---	--	--	--

 -

*		*	
---	--	---	--

 -

--	--	--	--

 CHARACTER #:

1	2
---	---

 -

3	4	5	6
---	---	---	---

 -

7	8	9	10
---	---	---	----

 -

11	12	13	14
----	----	----	----

END CAP AND INPUT SHAFT KITS

CHARACTER 3	ITEM #	COMPONENT #	DESCRIPTION	QTY	CONTAINS ITEMS:
A	2	71615	KIT, END CAP STD CHARGE	1	66,88
	6	2513027	KIT, CHG PUMP	1	7,8,74
	10	50975	CAPSCREW 6M X 1.0 X 25mm	2	10
	18	71262	KIT, PUMP SHAFT (5/8 STRAIGHT KEYED)	1	19,79,89
1	2	71615	KIT, END CAP STD CHARGE	1	66,88
	6	2513027	KIT, CHG PUMP	1	7,8,74
	10	50975	CAPSCREW 6M X 1.0 X 25mm	2	10
	18	70521	KIT, PUMP SHAFT (15mm STRAIGHT KEYED)	1	19,79,89
4	2	71615	KIT, END CAP STD CHARGE	1	66,88
	6	2513027	KIT, CHG PUMP	1	7,8,74
	10	50975	CAPSCREW 6M X 1.0 X 25mm	2	10
	18	70727	KIT, PUMP SHAFT (15mm TAPERED, KEYED)	1	19,79,89

CHARGE RELIEF AND AUXILIARY PUMP KITS

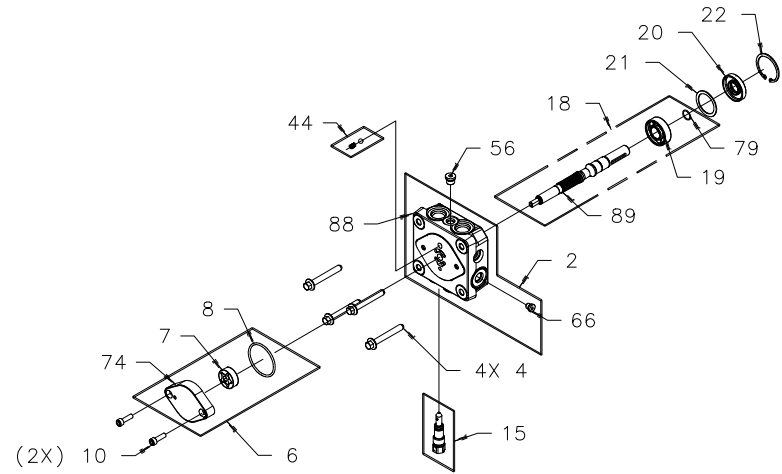
CHARACTER 7	ITEM #	COMPONENT #	DESCRIPTION	QTY
D	44	70402	KIT, CHARGE RELIEF VALVE	1

BYPASS KITS

CHARACTER 9	ITEM #	COMPONENT #	DESCRIPTION	QTY
1	15	2513030	KIT, BYPASS	1

GENERIC PARTS LISTING (ALL MODELS)

ITEM #	COMPONENT #	DESCRIPTION	QTY
4	50969	HEX FLANGE BOLT M8-1.25 x 60mm LONG	4
20	51161	LIP SEAL 17 X 40 X 7 PTC	1
21	50951	SPACER	1
22	50329	RETAINING RING	1
56	9005110-4400	PLUG, STRAIGHT THREADED	1



PE SERIES SERVICE SCHEMATIC

MODEL NUMBER:

P	E
1	2

 -

		*	*
3	4	5	6

 -

7	8	9	10

 -

11	12	13	14

SHOCK VALVE KITS, *A* SIDE

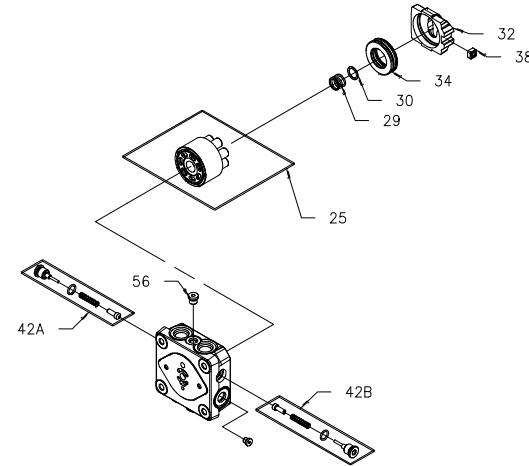
CHARACTER 5	ITEM #	COMPONENT #	DESCRIPTION	QTY
A		70741	KIT, SHOCK VALVE (200 BAR, BLANK ORIFICE)	1
B		70742	KIT, SHOCK VALVE (200 BAR, .024 ORIFICE)	1
C		70743	KIT, SHOCK VALVE (200 BAR, .031 ORIFICE)	1
D		70744	KIT, SHOCK VALVE (200 BAR, .044 ORIFICE)	1
E		70836	KIT, SHOCK VALVE (160 BAR, BLANK ORIFICE)	1
F		70837	KIT, SHOCK VALVE (160 BAR, .024 ORIFICE)	1
G		70838	KIT, SHOCK VALVE (160 BAR, .031 ORIFICE)	1
H		70839	KIT, SHOCK VALVE (160 BAR, .044 ORIFICE)	1
J	42A	70840	KIT, SHOCK VALVE (120 BAR, BLANK ORIFICE)	1
K		70841	KIT, SHOCK VALVE (120 BAR, .024 ORIFICE)	1
L		70842	KIT, SHOCK VALVE (120 BAR, .031 ORIFICE)	1
M		70843	KIT, SHOCK VALVE (120 BAR, .044 ORIFICE)	1
N		2510050	KIT, CHECK VALVE (BLANK ORIFICE)	1
P		2510062	KIT, CHECK VALVE (.024 ORIFICE)	1
Q		2510027	KIT, CHECK VALVE (.031 ORIFICE)	1
R		2510034	KIT, CHECK VALVE (.044 ORIFICE)	1
T		71254	KIT, CHECK VALVE (.016 ORIFICE)	1

SHOCK VALVE KITS, *B* SIDE

CHARACTER 6	ITEM #	COMPONENT #	DESCRIPTION	QTY
A		70741	KIT, SHOCK VALVE (200 BAR, BLANK ORIFICE)	1
B		70742	KIT, SHOCK VALVE (200 BAR, .024 ORIFICE)	1
C		70743	KIT, SHOCK VALVE (200 BAR, .031 ORIFICE)	1
D		70744	KIT, SHOCK VALVE (200 BAR, .044 ORIFICE)	1
E		70836	KIT, SHOCK VALVE (160 BAR, BLANK ORIFICE)	1
F		70837	KIT, SHOCK VALVE (160 BAR, .024 ORIFICE)	1
G		70838	KIT, SHOCK VALVE (160 BAR, .031 ORIFICE)	1
H		70839	KIT, SHOCK VALVE (160 BAR, .044 ORIFICE)	1
J	42B	70840	KIT, SHOCK VALVE (120 BAR, BLANK ORIFICE)	1
K		70841	KIT, SHOCK VALVE (120 BAR, .024 ORIFICE)	1
L		70842	KIT, SHOCK VALVE (120 BAR, .031 ORIFICE)	1
M		70843	KIT, SHOCK VALVE (120 BAR, .044 ORIFICE)	1
N		2510050	KIT, CHECK VALVE (BLANK ORIFICE)	1
P		2510062	KIT, CHECK VALVE (.024 ORIFICE)	1
Q		2510027	KIT, CHECK VALVE (.031 ORIFICE)	1
R		2510034	KIT, CHECK VALVE (.044 ORIFICE)	1
T		71254	KIT, CHECK VALVE (.016 ORIFICE)	1

GENERIC PARTS LISTING (ALL MODELS)

ITEM #	COMPONENT #	DESCRIPTION	QTY
25	70331	CYLINDER BLOCK KIT	1
29	2003014	BLOCK SPRING	1
30	2003017	BLOCK THRUST WASHER	1
32	2003087	SWASHPLATE	1
34	50551	BALL THRUST BEARING	1
38	2000015	SLOT GUIDE	1
56	9005110-4400	PLUG 7/16-20 (METAL)	1



PE SERIES SERVICE SCHEMATIC

MODEL NUMBER:

P	E
---	---

 -

--	--	--	--

 -

*			
---	--	--	--

 -

--	--	--	--

 CHARACTER #:

1	2
---	---

 -

3	4	5	6
---	---	---	---

 -

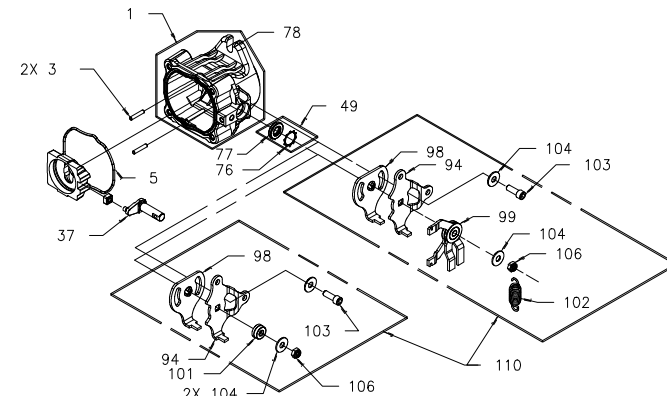
7	8	9	10
---	---	---	----

 -

11	12	13	14
----	----	----	----

TRUNNION ARM, HOUSING AND RETURN KITS

CHARACTER 8	ITEM #	COMPONENT #	DESCRIPTION	QTY	CONTAINS ITEMS:
A, B	1	70797	KIT, HOUSING	1	78
	37	50807	ARM, TRUNNION, TAPERED SQUARE	1	37
	110	70794	KIT, RETURN	1	94, 98, 99, 102, 103, 104, 106, 107
C, D	1	70797	KIT, HOUSING	1	78
	37	50807	ARM, TRUNNION, TAPERED SQUARE	1	37
	110	70846	KIT, RETURN	1	94, 98, 99, 102, 103, 104, 106, 107
E, F	1	70797	KIT, HOUSING	1	78
	37	50807	ARM, TRUNNION, TAPERED SQUARE	1	37
	110	70847	KIT, RETURN	1	94, 98, 99, 102, 103, 104, 106, 107
G, H	1	70797	KIT, HOUSING	1	78
	37	50807	ARM, TRUNNION, TAPERED SQUARE	1	37
	110	70872	KIT, RETURN	1	94, 98, 99, 102, 103, 104, 106, 107
J, K	1	70797	KIT, HOUSING	1	78
	37	50807	ARM, TRUNNION, TAPERED SQUARE	1	37
	110	70873	KIT, RETURN	1	94, 98, 99, 102, 103, 104, 106, 107
L, M	1	70797	KIT, HOUSING	1	78
	37	50807	ARM, TRUNNION, TAPERED SQUARE	1	37
	110	70874	KIT, RETURN	1	94, 98, 99, 102, 103, 104, 106, 107
N, P	1	70797	KIT, HOUSING	1	78
	37	50807	ARM, TRUNNION, TAPERED SQUARE	1	37
	110	71034	KIT, RETURN	1	94, 98, 99, 102, 103, 104, 106, 107
Q, R	1	70797	KIT, HOUSING	1	78
	37	50807	ARM, TRUNNION, TAPERED SQUARE	1	37
	110	71035	KIT, RETURN	1	94, 98, 99, 102, 103, 104, 106, 107
T, U	1	70797	KIT, HOUSING	1	78
	37	50807	ARM, TRUNNION, TAPERED SQUARE	1	37
	110	71036	KIT, RETURN	1	94, 98, 99, 102, 103, 104, 106, 107
Y	1	70516	KIT, HOUSING	1	78
	37	2003005	ARM, TRUNNION, DOUBLE D	1	37
1	1	70797	KIT, HOUSING	1	78
	37	50807	ARM, TRUNNION, TAPERED SQUARE	1	37



111 - OVERHAUL SEAL KIT

GENERIC PARTS LISTING (ALL MODELS)

ITEM #	COMPONENT #	DESCRIPTION	QTY	CONTAINS ITEMS:
3	50641	STRAIGHT HEADLESS PIN	2	3
5	52629	HOUSING O-RING	1	5
49	2513043	TRUNNION SEAL / RETAINER KIT	1	76, 77
111	70525	OVERHAUL SEAL KIT	1	111