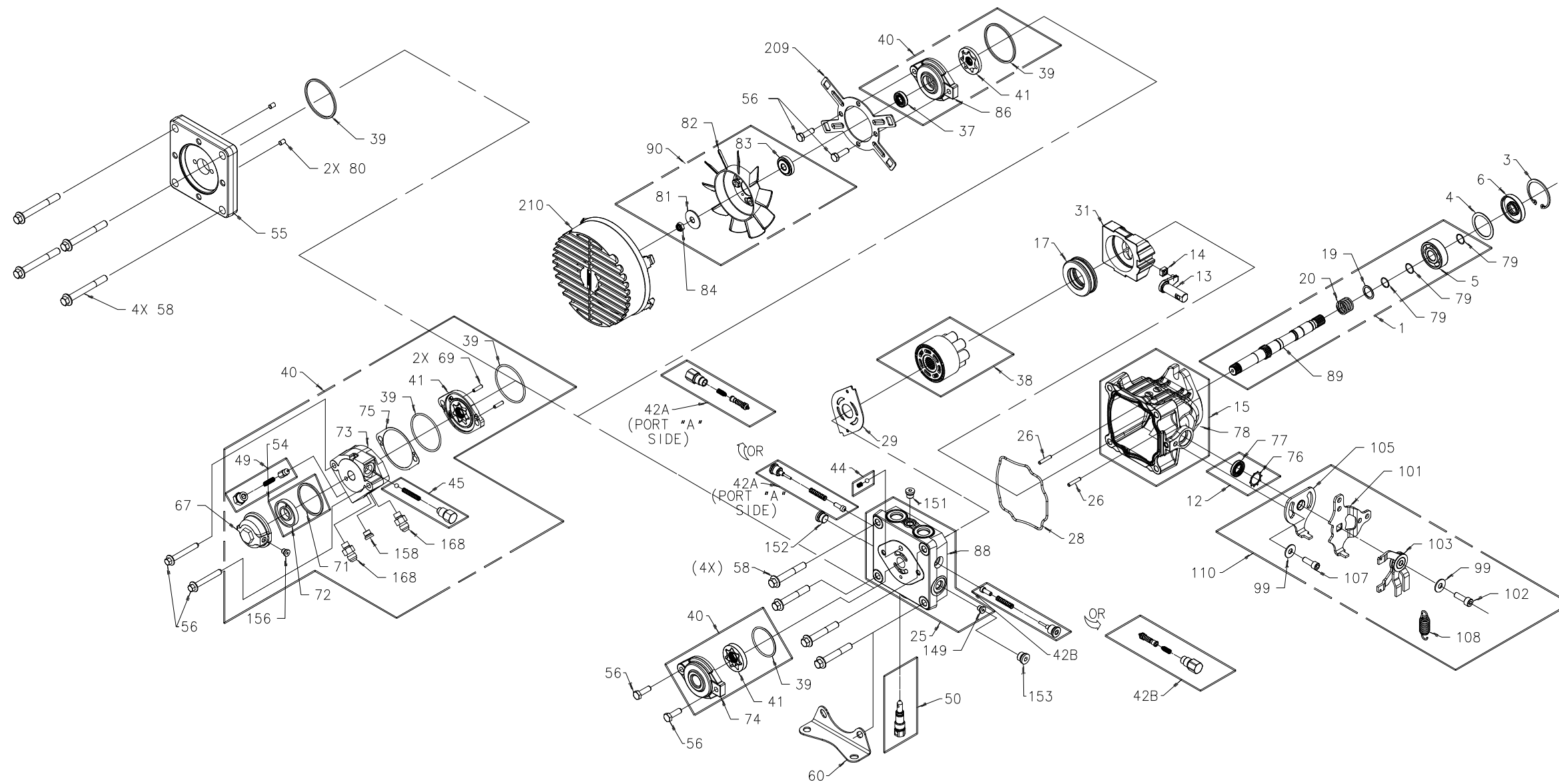


PR SERIES SERVICE SCHEMATIC (P-16A)



100 - OVERHAUL SEAL KIT, PART #70740

PR SERIES SERVICE SCHEMATIC (P-16A)

REFERENCE NO	MODEL NO	PUMP SHAFT (KIT #1)	HOUSING (KIT #15)	ENDCAP (KIT #25)	BYPASS VALVE (KIT #50)	CHECK VALVE RH(KIT #42A)	CHECK VALVE LH(KIT #42B)	TRUNNION ARM	CHARGE PUMP (KIT #40)	CHARGE RELIEF (KIT #44)	INPUT ROTATION	RTN (KIT #110)
BDP-16A-100	PR-1DNN-KY1X-XXXX	70581	70738	70736	2513030	2510050	2510050	LH	70470	70402	CW	
BDP-16A-105	PR-2DAA-GA11-XXXX	70578	70738	70736	2513030	70741	70741	LH	70924	70402	CW	70869
BDP-16A-200	PR-3ACC-EY1X-XXXX	70580	70738	70736	2513030	70743	70743	RH	70470	70402	CW	
BDP-16A-203	PR-1AAA-EY1X-XXXX	70581	70738	70736	2513030	70741	70741	RH	70470	70402	CW	
BDP-16A-301	PR-3JCC-EY1X-XXXX	70580	70738	70736	2513030	70743	70743	LH	2510080	70402	CCW	
BDP-16A-302	PR-5JQC-FY1X-X1XX	2510091	70738	71101	2513030	2510027	70743	LH	70924	70402	CCW	
BDP-16A-306	PR-1MCC-EY1X-XXXX	70581	70738	70736	2513030	70743	70743	LH	2510071	70402	CCW	
BDP-16A-307	PR-1JBC-EY1X-XXXX	70581	70738	70736	2513030	70742	70743	LH	2510071	70402	CCW	
BDP-16A-308	PR-1KCC-EY1X-XXXX	70581	70738	70736	2513030	70743	70743	LH	2510071	70402	CCW	
BDP-16A-312	PR-1KCC-EG1X-XXXX	70581	70738	70736	2513030	70743	70743	LH	2510071	70402	CCW	70872
BDP-16A-315	PR-2KDD-G11X-XXXX	70578	70738	70736	2513030	70744	70744	LH	70924	70402	CCW	
BDP-16A-401	PR-5GQC-FY1X-X1XX	2510091	70738	71101	2513030	2510027	70743	RH	70924	70402	CCW	
BDP-16A-407	PR-1HCC-EY1X-XXXX	70581	70738	70736	2513030	70743	70743	RH	2510071	70402	CCW	
BDP-16A-409	PR-1LCC-EY1X-XXXX	70581	70738	70801	2513030	70743	70743	RH	2510071	70402	CCW	
BDP-16A-410	PR-1HBC-EY1X-XXXX	70581	70738	70736	2513030	70742	70743	RH	2510071	70402	CCW	
BDP-16A-414	PR-1HCC-EG1X-XXXX	70581	70738	70736	2513030	70743	70743	RH	2510071	70402	CCW	70872
BDP-16A-416	PR-2HDD-G11X-XXXX	70578	70738	70736	2513030	70744	70744	RH	70924	70402	CCW	
BDP-16A-801	PR-1KCC-JY1X-XXXX	70581	70738	70737	2513030	70743	70743	LH	70472	70471	CCW	
BDP-16A-901	PR-1HCC-JA1X-XXXX	70581	70738	70737	2513030	70743	70743	RH	70472	70471	CCW	70869

PR SERIES SERVICE SCHEMATIC (P-16A)

MODEL NUMBER:

P	R
1	2

 -

*			
3	4	5	6

 -

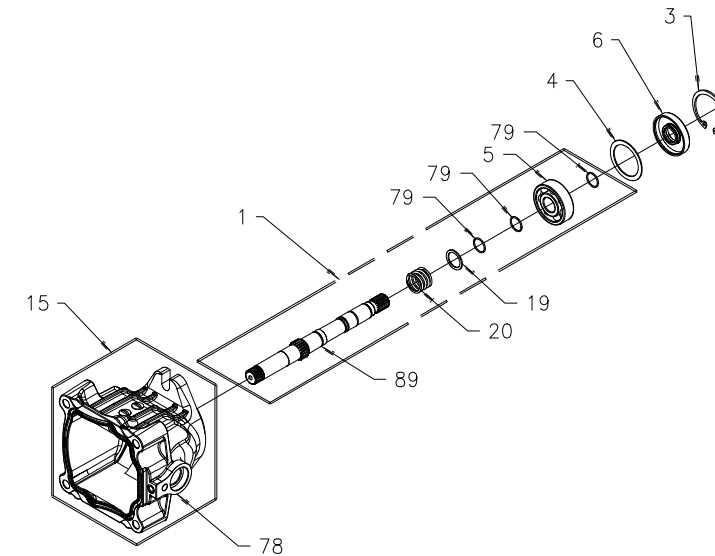
7	8	9	10

 -

11	12	13	14

INPUT SHAFT AND HOUSING KITS

CHARACTER 3	ITEM #	COMPONENT #	DESCRIPTION	QTY	CONTAINS ITEMS:
C	1	71283	KIT, AXLE (11T SPLINE)	1	5, 19, 20, 79, 89
	15	70965	KIT, HOUSING	1	78
D	1	71284	KIT, AXLE (7/8" KEYED)	1	5, 19, 20, 79, 89
	15	70965	KIT, HOUSING	1	78
M	1	71280	KIT, INPUT SHAFT (11 TOOTH)	1	5, 19, 20, 79, 89
	15	70965	KIT, HOUSING	1	78
N	1	71285	KIT, AXLE (9T/11T SPLINE)	1	5, 19, 20, 79, 89
	15	70965	KIT, HOUSING	1	78
P	1	70754	KIT, INPUT SHAFT (7/8 KEYED, PT 13-32 SPLINE)	1	5, 19, 20, 79, 89
	15	70965	KIT, HOUSING	1	78
T	1	70753	KIT, INPUT SHAFT (13T 16/32, 9T 16/32 SPLINE)	1	5, 19, 20, 79, 89
	15	70965	KIT, HOUSING	1	78
U	1	70605	KIT, INPUT SHAFT (13T 16/32 SPLINE)	1	5, 19, 20, 79, 89
	15	70965	KIT, HOUSING	1	78
V	1	70607	KIT, INPUT SHAFT (20T 32/64 TO 20T 32/64, CHG AUX)	1	5, 19, 20, 79, 89
	15	70966	KIT, HOUSING	1	78
W	1	71021	KIT, INPUT SHAFT (20T 32/64 TO 9T 32/64, A-PAD)	1	5, 19, 20, 79, 89
	15	70966	KIT, HOUSING	1	78
Y	1	71020	KIT, INPUT SHAFT (20T 32/64 TO 9T 20/40, A-PAD)	1	5, 19, 20, 79, 89
	15	70966	KIT, HOUSING	1	78
1	1	70581	KIT, INPUT SHAFT (17mm KEYED)	1	5, 19, 20, 79, 89
	15	70738	KIT, HOUSING	1	78
2	1	70578	KIT, INPUT SHAFT (17mm KEYED THRU)	1	5, 19, 20, 79, 89
	15	70738	KIT, HOUSING	1	78
3	1	70580	KIT, INPUT SHAFT (19T 32/64 SPLINE)	1	5, 19, 20, 79, 89
	15	70738	KIT, HOUSING	1	78
4	1	71019	KIT, INPUT SHAFT (17mm KEYED TAPERED)	1	5, 19, 20, 79, 89
	15	70738	KIT, HOUSING	1	78
5	1	2510091	KIT, INPUT SHAFT (17mm KEYED TAPERED, THRU)	1	5, 19, 20, 79, 89
	15	70738	KIT, HOUSING	1	78
6	1	70606	KIT, INPUT SHAFT (7/8 TAPERED KEYED, 20T 32/64 SPLINE)	1	5, 19, 20, 79, 89
	15	70965	KIT, HOUSING	1	78
7	1	70713	KIT, INPUT SHAFT (17mm KEYED, 9T 20/40 AA-PAD)	1	5, 19, 20, 79, 89
	15	70738	KIT, HOUSING	1	78
8	1	71286	KIT, AXLE SHAFT (TAPERED)	1	5, 19, 20, 79, 89
	15	70738	KIT, HOUSING	1	78
A	1	71364	KIT, INPUT SHAFT (7/8" KEYED)	1	5, 19, 20, 79, 89
	15	70528	KIT, HOUSING	1	78



	ITEM #	COMPONENT #	DESCRIPTION	QTY
1, 2, 3, 4, 5, 7, 8	3	2000038	RETAINING RING	1
	4	2000023	SPACER	1
	6	51092	LIP SEAL 17 X 47 X 8 PTCN1	1
A, C, D, M, N, P, T, U, 6	3	52650	RETAINING RING	1
	4	51279	SPACER	1
	6	51280	LIP SEAL 17 X 47 X 8 PTCN1	1
V, W, Y	3	2000038	RETAINING RING	1
	4	52408	SPACER, TANDEM	1
	6	N/A		



PR SERIES SERVICE SCHEMATIC (P-16A)

MODEL NUMBER:

P	R
1	2

 -

		*	*
3	4	5	6

 -

7	8	9	10

 -

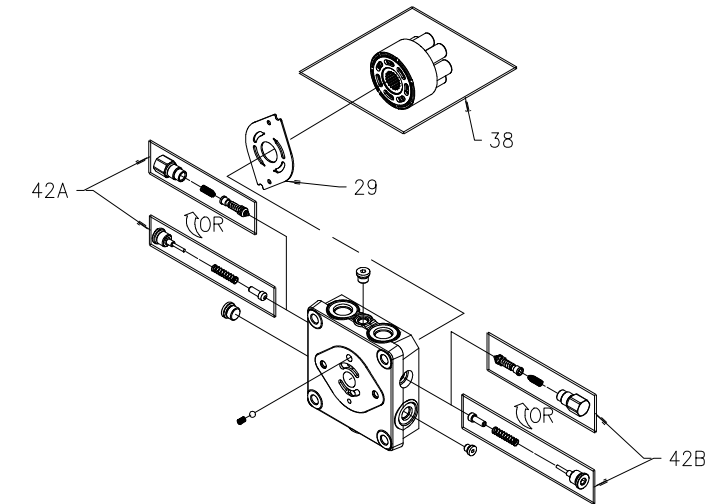
11	12	13	14

SHOCK VALVE KITS, "A" SIDE

CHARACTER 5	ITEM #	COMPONENT #	DESCRIPTION	QTY
A	42A	70741	KIT, SHOCK VALVE (200 BAR, BLANK ORIFICE)	1
B		70742	KIT, SHOCK VALVE (200 BAR, .024 ORIFICE)	1
C		70743	KIT, SHOCK VALVE (200 BAR, .031 ORIFICE)	1
D		70744	KIT, SHOCK VALVE (200 BAR, .044 ORIFICE)	1
E		70836	KIT, SHOCK VALVE (160 BAR, BLANK ORIFICE)	1
F		70837	KIT, SHOCK VALVE (160 BAR, .024 ORIFICE)	1
G		70838	KIT, SHOCK VALVE (160 BAR, .031 ORIFICE)	1
H		70839	KIT, SHOCK VALVE (160 BAR, .044 ORIFICE)	1
J		70840	KIT, SHOCK VALVE (120 BAR, BLANK ORIFICE)	1
K		70841	KIT, SHOCK VALVE (120 BAR, .024 ORIFICE)	1
L		70842	KIT, SHOCK VALVE (120 BAR, .031 ORIFICE)	1
M		70843	KIT, SHOCK VALVE (120 BAR, .044 ORIFICE)	1
N		2510050	KIT, CHECK VALVE (BLANK ORIFICE)	1
P		2510062	KIT, CHECK VALVE (.024 ORIFICE)	1
Q		2510034	KIT, CHECK VALVE (.044 ORIFICE)	1
R		2510027	KIT, CHECK VALVE (.031 ORIFICE)	1

SHOCK VALVE KITS, "B" SIDE

CHARACTER 6	ITEM #	COMPONENT #	DESCRIPTION	QTY
A	42B	70741	KIT, SHOCK VALVE (200 BAR, BLANK ORIFICE)	1
B		70742	KIT, SHOCK VALVE (200 BAR, .024 ORIFICE)	1
C		70743	KIT, SHOCK VALVE (200 BAR, .031 ORIFICE)	1
D		70744	KIT, SHOCK VALVE (200 BAR, .044 ORIFICE)	1
E		70836	KIT, SHOCK VALVE (160 BAR, BLANK ORIFICE)	1
F		70837	KIT, SHOCK VALVE (160 BAR, .024 ORIFICE)	1
G		70838	KIT, SHOCK VALVE (160 BAR, .031 ORIFICE)	1
H		70839	KIT, SHOCK VALVE (160 BAR, .044 ORIFICE)	1
J		70840	KIT, SHOCK VALVE (120 BAR, BLANK ORIFICE)	1
K		70841	KIT, SHOCK VALVE (120 BAR, .024 ORIFICE)	1
L		70842	KIT, SHOCK VALVE (120 BAR, .031 ORIFICE)	1
M		70843	KIT, SHOCK VALVE (120 BAR, .044 ORIFICE)	1
N		2510050	KIT, CHECK VALVE (BLANK ORIFICE)	1
P		2510062	KIT, CHECK VALVE (.024 ORIFICE)	1
Q		2510034	KIT, CHECK VALVE (.044 ORIFICE)	1
R		2510027	KIT, CHECK VALVE (.031 ORIFICE)	1



ITEM #	COMPONENT #	DESCRIPTION	QTY
29	52371	VALVE PLATE	1
38	70735	CYLINDER BLOCK KIT (16cc)	1

PR SERIES SERVICE SCHEMATIC (P-16A)

MODEL NUMBER:

P	R	-	*			
1	2	-	3	4	5	6

 -

*			
7	8	9	10

 -

*			
11	12	13	14

CHARACTER #:

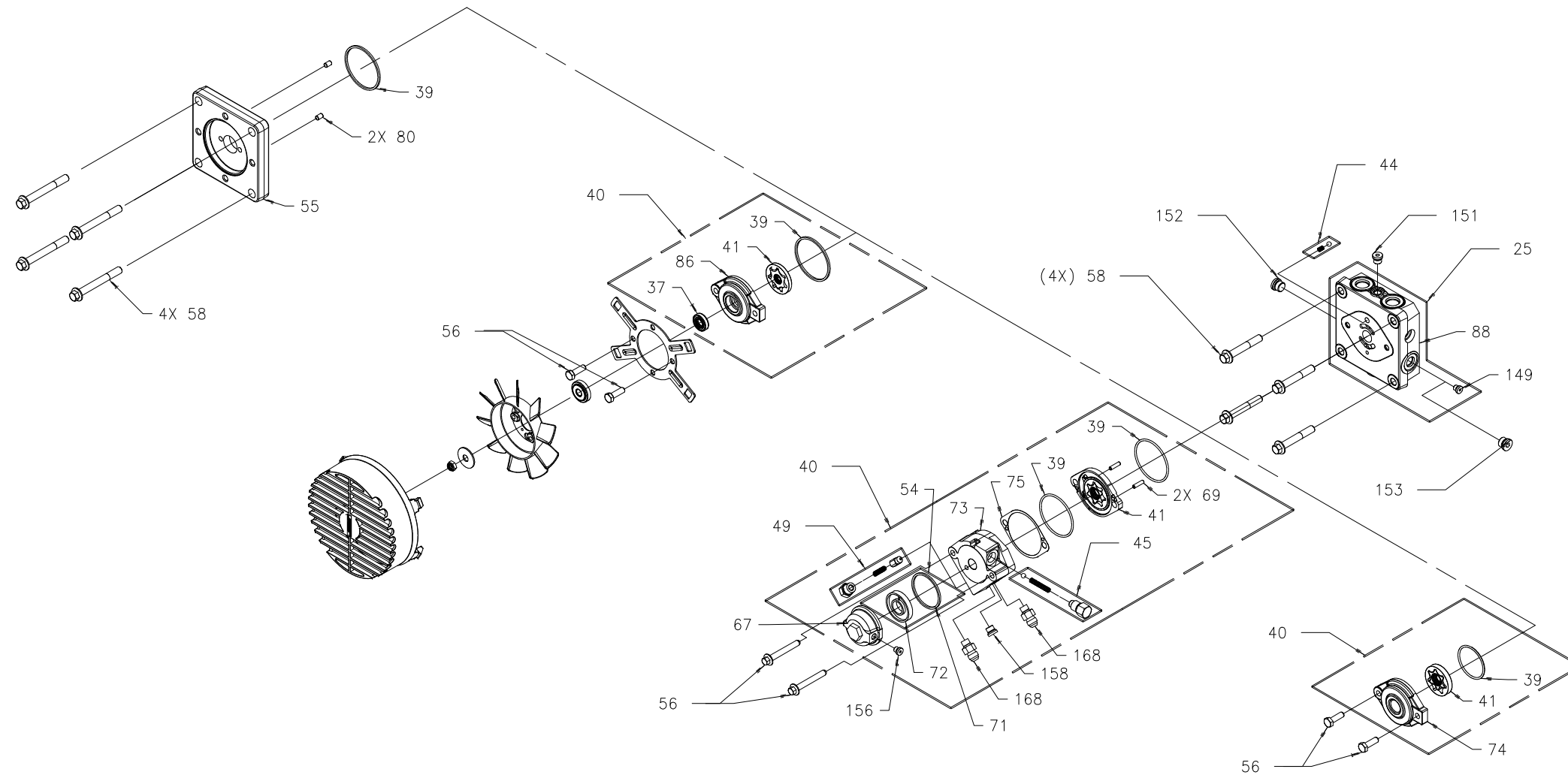
P	R	-	*			
1	2	-	3	4	5	6

 -

*			
7	8	9	10

 -

*			
11	12	13	14



PR SERIES SERVICE SCHEMATIC (P-16A)

MODEL NUMBER:

P	R
1	2

 -

*			
3	4	5	6

 -

*			
7	8	9	10

 -

*			
11	12	13	14

END CAP & CHARGE PUMP KITS

CHARACTER 7	CHARACTER 4	CHARACTER 12	ITEM #	COMPONENT #	DESCRIPTION	QTY	CONTAINS ITEMS:
E	A THRU D, G THRU K	1	25	71101	KIT, END CAP	1	88,149
			40	2510071	KIT, CHARGE PUMP	1	39,41,74
			44	70402	KIT, CHARGE RELIEF	1	44
			56	50173	SCREW, M8 X 1.25 X 25mm LONG	2	56
			58	51457	HEX SCREW, FH M10 X 65mm	4	58
			25	70736	KIT, END CAP (W/POPPETS & STD CHG)	1	88,149
	E, F, L, M	X	40	2510071	KIT, CHARGE PUMP	1	39,41,74
			44	70402	KIT, CHARGE RELIEF	1	44
			56	50173	SCREW, M8 X 1.25 X 25mm LONG	2	56
			58	51457	HEX SCREW, FH M10 X 65mm	4	58
			25	70736	KIT, END CAP (W/POPPETS & STD CHG)	1	88,149
			40	2510071	KIT, CHARGE PUMP	1	39,41,74
	T, U, V, W	X	44	70402	KIT, CHARGE RELIEF	1	44
			56	50173	SCREW, M8 X 1.25 X 25mm LONG	2	56
			58	51457	HEX SCREW, FH M10 X 65mm	4	58
			25	70736	KIT, END CAP (W/POPPETS & STD CHG)	1	88,149
			40	2510071	KIT, CHARGE PUMP	1	39,41,74
			44	70402	KIT, CHARGE RELIEF	1	44
G	A THRU D, G THRU K	1	25	71101	KIT, END CAP	1	88,149
			40	70924	KIT, CHARGE PUMP	1	37,39,41,86
			44	70402	KIT, CHARGE RELIEF	1	44
			56	50173	SCREW, M8 X 1.25 X 25mm LONG	2	56
			58	51457	HEX SCREW, FH M10 X 65mm	4	58
			25	70736	KIT, END CAP (W/POPPETS & STD CHG)	1	88,149
	E, F, L, M	X	40	70924	KIT, CHARGE PUMP	1	37,39,41,86
			44	70402	KIT, CHARGE RELIEF	1	44
			56	50173	SCREW, M8 X 1.25 X 25mm LONG	2	56
			58	51457	HEX SCREW, FH M10 X 65mm	4	58
			25	70736	KIT, END CAP (W/POPPETS & STD CHG)	1	88,149
			40	70924	KIT, CHARGE PUMP	1	37,39,41,86
	T, U, V, W	X	44	70402	KIT, CHARGE RELIEF	1	44
			56	50173	SCREW, M8 X 1.25 X 25mm LONG	2	56
			58	51457	HEX SCREW, FH M10 X 65mm	4	58
			25	70736	KIT, END CAP (W/POPPETS & STD CHG)	1	88,149
			40	70924	KIT, CHARGE PUMP	1	37,39,41,86
			44	70402	KIT, CHARGE RELIEF	1	44
U	A THRU D, G THRU K	1	25	71101	KIT, END CAP	1	88,149
			40	70924	KIT, CHARGE PUMP	1	37,39,41,86
			44	71361	KIT, CHARGE RELIEF	1	44
			56	50173	SCREW, M8 X 1.25 X 25mm LONG	2	56
			58	51457	HEX SCREW, FH M10 X 65mm	4	58
			25	70736	KIT, END CAP (W/POPPETS & STD CHG)	1	88,149
	E, F, L, M	X	40	70924	KIT, CHARGE PUMP	1	37,39,41,86
			44	71361	KIT, CHARGE RELIEF	1	44
			56	50173	SCREW, M8 X 1.25 X 25mm LONG	2	56
			58	51457	HEX SCREW, FH M10 X 65mm	4	58
			25	70736	KIT, END CAP (W/POPPETS & STD CHG)	1	88,149
			40	70924	KIT, CHARGE PUMP	1	37,39,41,86
	T, U, V, W	X	44	71361	KIT, CHARGE RELIEF	1	44
			56	50173	SCREW, M8 X 1.25 X 25mm LONG	2	56
			58	51457	HEX SCREW, FH M10 X 65mm	4	58
			25	70736	KIT, END CAP (W/POPPETS & STD CHG)	1	88,149
			40	70924	KIT, CHARGE PUMP	1	37,39,41,86
			44	71361	KIT, CHARGE RELIEF	1	44



PR SERIES SERVICE SCHEMATIC (P-16A)

MODEL NUMBER:

P	R
1	2

 -

*			
3	4	5	6

 -

*			
7	8	9	10

 -

*			
11	12	13	14

END CAP & CHARGE PUMP KITS

CHARACTER 7	CHARACTER 4	CHARACTER 12	ITEM #	COMPONENT #	DESCRIPTION	QTY	CONTAINS ITEMS:	
K	A THRU D, G THRU K	1	25	71101	KIT, END CAP	1	88,149	
			40	2510071	KIT, CHARGE PUMP	1	39,41,74	
			44	70403	KIT, CHARGE RELIEF	1	44	
			56	50173	SCREW, M8 X 1.25 X 25mm LONG	2	56	
			58	51457	HEX SCREW, FH M10 X 65mm	4	58	
			25	70736	KIT, END CAP (W/POPPETS & STD CHG)	1	88,149	
		40	2510071	KIT, CHARGE PUMP	1	39,41,74		
		44	70403	KIT, CHARGE RELIEF	1	44		
		56	50173	SCREW, M8 X 1.25 X 25mm LONG	2	56		
		58	51457	HEX SCREW, FH M10 X 65mm	4	58		
		25	70801	KIT, END CAP	1	88,149		
		40	2510071	KIT, CHARGE PUMP	1	39,41,74		
	44	70403	KIT, CHARGE RELIEF	1	44			
	56	50173	SCREW, M8 X 1.25 X 25mm LONG	2	56			
	58	51457	HEX SCREW, FH M10 X 65mm	4	58			
	25	70736	KIT, END CAP (W/POPPETS & STD CHG)	1	88,149			
	40	2510071	KIT, CHARGE PUMP	1	39,41,74			
	44	70403	KIT, CHARGE RELIEF	1	44			
	56	50173	SCREW, M8 X 1.25 X 25mm LONG	2	56			
	58	51457	HEX SCREW, FH M10 X 65mm	4	58			
	F	A THRU D, G THRU K	1	25	71101	KIT, END CAP	1	88,149
				40	2510080	KIT, CHARGE PUMP	1	37,39,41,86
				44	70402	KIT, CHARGE RELIEF	1	44
				56	50173	SCREW, M8 X 1.25 X 25mm LONG	2	56
58				51457	HEX SCREW, FH M10 X 65mm	4	58	
25				70736	KIT, END CAP (W/POPPETS & STD CHG)	1	88,149	
40			2510080	KIT, CHARGE PUMP	1	37,39,41,86		
44			70402	KIT, CHARGE RELIEF	1	44		
56			50173	SCREW, M8 X 1.25 X 25mm LONG	2	56		
58			51457	HEX SCREW, FH M10 X 65mm	4	58		
25			70801	KIT, END CAP	1	88,149		
40			2510080	KIT, CHARGE PUMP	1	37,39,41,86		
44		70402	KIT, CHARGE RELIEF	1	44			
56		50173	SCREW, M8 X 1.25 X 25mm LONG	2	56			
58		51457	HEX SCREW, FH M10 X 65mm	4	58			
25		70736	KIT, END CAP (W/POPPETS & STD CHG)	1	88,149			
40		2510080	KIT, CHARGE PUMP	1	37,39,41,86			
44		70402	KIT, CHARGE RELIEF	1	44			
56		50173	SCREW, M8 X 1.25 X 25mm LONG	2	56			
58		51457	HEX SCREW, FH M10 X 65mm	4	58			
T		A THRU D, G THRU K	1	25	71101	KIT, END CAP	1	88,149
				40	2510071	KIT, CHARGE PUMP	1	39,41,74
				44	71361	KIT, CHARGE RELIEF	1	44
				56	50173	SCREW, M8 X 1.25 X 25mm LONG	2	56
	58			51457	HEX SCREW, FH M10 X 65mm	4	58	
	25			70736	KIT, END CAP (W/POPPETS & STD CHG)	1	88,149	
	40		2510071	KIT, CHARGE PUMP	1	39,41,74		
	44		71361	KIT, CHARGE RELIEF	1	44		
	56		50173	SCREW, M8 X 1.25 X 25mm LONG	2	56		
	58		51457	HEX SCREW, FH M10 X 65mm	4	58		
	25		70801	KIT, END CAP	1	88,149		
	40		2510071	KIT, CHARGE PUMP	1	39,41,74		
	44	71361	KIT, CHARGE RELIEF	1	44			
	56	50173	SCREW, M8 X 1.25 X 25mm LONG	2	56			
	58	51457	HEX SCREW, FH M10 X 65mm	4	58			
	25	70736	KIT, END CAP (W/POPPETS & STD CHG)	1	88,149			
	40	2510071	KIT, CHARGE PUMP	1	39,41,74			
	44	71361	KIT, CHARGE RELIEF	1	44			
	56	50173	SCREW, M8 X 1.25 X 25mm LONG	2	56			
	58	51457	HEX SCREW, FH M10 X 65mm	4	58			



PR SERIES SERVICE SCHEMATIC (P-16A)

MODEL NUMBER:

P	R
1	2

 -

*			
3	4	5	6

 -

*			
7	8	9	10

 -

*			
11	12	13	14

END CAP & CHARGE PUMP KITS

CHARACTER 7	CHARACTER 4	CHARACTER 12	ITEM #	COMPONENT #	DESCRIPTION	QTY	CONTAINS ITEMS:
L	A THRU D, G THRU K	1	25	71101	KIT, END CAP	1	88,149
			40	70470	KIT, CHARGE PUMP	1	39,41,74
			44	70402	KIT, CHARGE RELIEF	1	44
			56	50173	SCREW, M8 X 1.25 X 25mm LONG	2	56
			58	51457	HEX SCREW, FH M10 X 65mm	4	58
			25	70736	KIT, END CAP (W/POPPETS & STD CHG)	1	88,149
	E, F, L, M	X	40	70470	KIT, CHARGE PUMP	1	39,41,74
			44	70402	KIT, CHARGE RELIEF	1	44
			56	50173	SCREW, M8 X 1.25 X 25mm LONG	2	56
			58	51457	HEX SCREW, FH M10 X 65mm	4	58
			25	70801	KIT, END CAP	1	88,149
			40	70470	KIT, CHARGE PUMP	1	39,41,74
			44	70402	KIT, CHARGE RELIEF	1	44
			56	50173	SCREW, M8 X 1.25 X 25mm LONG	2	56
M	A THRU D, G THRU K	1	25	71101	KIT, END CAP	1	88,149
			40	70470	KIT, CHARGE PUMP	1	39,41,74
			44	70403	KIT, CHARGE RELIEF	1	44
			56	50173	SCREW, M8 X 1.25 X 25mm LONG	2	56
			58	51457	HEX SCREW, FH M10 X 65mm	4	58
			25	70736	KIT, END CAP (W/POPPETS & STD CHG)	1	88,149
	E, F, L, M	X	40	70470	KIT, CHARGE PUMP	1	39,41,74
			44	70403	KIT, CHARGE RELIEF	1	44
			56	50173	SCREW, M8 X 1.25 X 25mm LONG	2	56
			58	51457	HEX SCREW, FH M10 X 65mm	4	58
			25	70801	KIT, END CAP	1	88,149
			40	70470	KIT, CHARGE PUMP	1	39,41,74
			44	70403	KIT, CHARGE RELIEF	1	44
			56	50173	SCREW, M8 X 1.25 X 25mm LONG	2	56
R	A THRU D, G THRU K	1	25	71101	KIT, END CAP	1	88,149
			40	71367	KIT, CHARGE PUMP	1	39,41,74
			44	52255	ASSEMBLY, POPPET/SPRING	1	44
			56	50173	SCREW, M8 X 1.25 X 25mm LONG	2	56
			58	51457	HEX SCREW, FH M10 X 65mm	4	58
			25	70736	KIT, END CAP (W/POPPETS & STD CHG)	1	88,149
	E, F, L, M	X	40	71367	KIT, CHARGE PUMP	1	39,41,74
			44	52255	ASSEMBLY, POPPET/SPRING	1	44
			56	50173	SCREW, M8 X 1.25 X 25mm LONG	2	56
			58	51457	HEX SCREW, FH M10 X 65mm	4	58
			25	70801	KIT, END CAP	1	88,149
			40	71367	KIT, CHARGE PUMP	1	39,41,74
			44	52255	ASSEMBLY, POPPET/SPRING	1	44
			56	50173	SCREW, M8 X 1.25 X 25mm LONG	2	56
T, U, V, W	X	58	51457	HEX SCREW, FH M10 X 65mm	4	58	
		25	70736	KIT, END CAP (W/POPPETS & STD CHG)	1	88,149	
		40	71367	KIT, CHARGE PUMP	1	39,41,74	
		44	52255	ASSEMBLY, POPPET/SPRING	1	44	
		56	50173	SCREW, M8 X 1.25 X 25mm LONG	2	56	
		58	51457	HEX SCREW, FH M10 X 65mm	4	58	

PR SERIES SERVICE SCHEMATIC (P-16A)

MODEL NUMBER:

P	R
1	2

 -

*			
3	4	5	6

 -

*			
7	8	9	10

 -

*			
11	12	13	14

END CAP & CHARGE PUMP KITS

CHARACTER 7	CHARACTER 4	CHARACTER 12	ITEM #	COMPONENT #	DESCRIPTION	QTY	CONTAINS ITEMS:
N	A THRU D, G THRU K	1	25	71101	KIT, END CAP	1	88,149
			40	2510080	KIT, CHARGE PUMP	1	37,39,41,86
			44	70403	KIT, CHARGE RELIEF	1	44
			56	50173	SCREW, M8 X 1.25 X 25mm LONG	2	56
			58	51457	HEX SCREW, FH M10 X 65mm	4	58
			25	70736	KIT, END CAP (W/POPPETS & STD CHG)	1	88,149
			40	2510080	KIT, CHARGE PUMP	1	37,39,41,86
	E, F, L, M	X	44	70403	KIT, CHARGE RELIEF	1	44
			56	50173	SCREW, M8 X 1.25 X 25mm LONG	2	56
			58	51457	HEX SCREW, FH M10 X 65mm	4	58
			25	70801	KIT, END CAP	1	88,149
			40	2510080	KIT, CHARGE PUMP	1	37,39,41,86
			44	70403	KIT, CHARGE RELIEF	1	44
			56	50173	SCREW, M8 X 1.25 X 25mm LONG	2	56
J			58	51457	HEX SCREW, FH M10 X 65mm	4	58
			25	71101	KIT, END CAP	1	88,149
			40	70472	KIT, CHARGE PUMP	1	39,41,45,49,67,69,71,72,73,75,156,158,168
			44	70471	KIT, CHARGE RELIEF	1	44
			56	50969	FH SCREW M8 X 60mm	2	56
P			58	51457	HEX SCREW, FH M10 X 65mm	4	58
			25	71101	KIT, END CAP	1	88,149
			40	70387	KIT, CHARGE PUMP	1	39,41,45,49,67,69,71,72,73,75,156,158,168
			44	2510081	KIT, CHARGE RELIEF	1	44
			56	50969	FH SCREW M8 X 60mm	2	56
Q			58	51457	HEX SCREW, FH M10 X 65mm	4	58
			25	71101	KIT, END CAP	1	88,149
			40	70927	KIT, CHARGE PUMP	1	39,41,45,49,67,69,71,72,73,75,156,158,168
			44	70926	KIT, CHARGE RELIEF	1	44
			56	50969	FH SCREW M8 X 60mm	2	56

ADAPTER PLATE

CHARACTER 7	CHARACTER 3	ITEM #	COMPONENT #	DESCRIPTION	QTY	CONTAINS ITEMS:
3	C,D,U,6	25	70967	KIT, END CAP (TANDEM)	1	88,149
		39	51016	O-RING	1	39
		55	51560	PLATE, ADAPTER (TANDEM)	1	55
		58	51826	HEX SCREW, FH M10	4	58
		80	9004800-2506	PIN, HEADLESS	2	80
1	-----	25	70967	KIT, END CAP (TANDEM)	1	88,149
		39	51016	O-RING	1	39
		55	51536	PLATE, ADAPTER (GEAR AA)	1	55
		58	51826	HEX SCREW, FH M10	4	58
		80	9004800-2506	PIN, HEADLESS	2	80
2	-----	25	70967	KIT, END CAP (TANDEM)	1	88,149
		39	51016	O-RING	1	39
		55	51887	PLATE, ADAPTER (GEAR A)	1	55
		58	51826	HEX SCREW, FH M10	4	58
		80	9004800-2506	PIN, HEADLESS	2	80

ITEM #	COMPONENT #	DESCRIPTION	QTY	CONTAINS ITEMS:
45	2510082	AUX RELIEF VALVE KIT	1	45
49	2510020	AUX BYPASS/CHECK KIT	1	49
54	2510090	AUXILIARY FILTER KIT	1	71,72
58	51457	HEX SCREW, FLANGED HEAD (M10X1.50-65mm LG)	4	58
67	50994	FILTER COVER	1	67
69	50408	DOWEL PIN	2	69
151	9005110-4400	7/16-20 STEEL PLUG	1	151
152	9005100-5600	9/16-18 STEEL PLUG	1	152
153	9005110-5600	9/16-18 STEEL PLUG	1	153
156	9005110-3100	5/16-24 STEEL PLUG	1	156
158	9005110-4400	7/16-20 STEEL PLUG	1	158
168	51359	CONNECTOR-6-4 37° SAE STR THD	1	168



PR SERIES SERVICE SCHEMATIC (P-16A)

MODEL NUMBER:

P	R
1	2

 -

3	4	5	6

 -

	*		
7	8	9	10

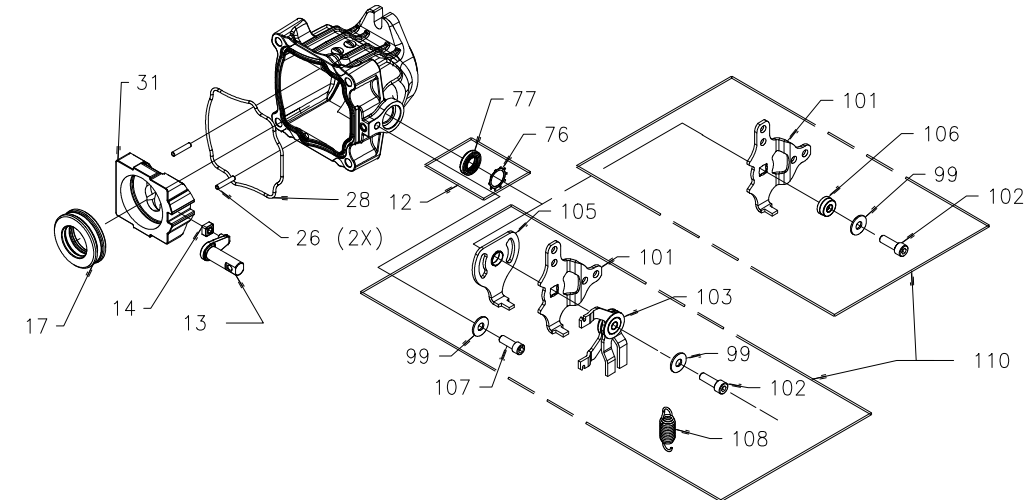
 -

11	12	13	14

TRUNNION ARMS AND RETURN KITS

CHARACTER 8	ITEM #	COMPONENT #	DESCRIPTION	QTY	CONTAINS ITEMS:
A, B	13	51596	TRUNNION ARM, TAPER SQUARE	1	13
	110	70869	KIT, RETURN	1	99, 101, 102, 103, 105, 107, 108
C, D	13	51596	TRUNNION ARM, TAPER SQUARE	1	13
	110	70870	KIT, RETURN	1	99, 101, 102, 103, 105, 107, 108
E, F	13	51596	TRUNNION ARM, TAPER SQUARE	1	13
	110	70871	KIT, RETURN	1	99, 101, 102, 103, 105, 107, 108
G, H	13	51596	TRUNNION ARM, TAPER SQUARE	1	13
	110	70872	KIT, RETURN	1	99, 101, 102, 103, 105, 107, 108
J, K	13	51596	TRUNNION ARM, TAPER SQUARE	1	13
	110	70873	KIT, RETURN	1	99, 101, 102, 103, 105, 107, 108
L, M	13	51596	TRUNNION ARM, TAPER SQUARE	1	13
	110	70874	KIT, RETURN	1	99, 101, 102, 103, 105, 107, 108
N, P	13	51596	TRUNNION ARM, TAPER SQUARE	1	13
	110	71034	KIT, RETURN	1	99, 101, 102, 103, 105, 107, 108
Q, R	13	51596	TRUNNION ARM, TAPER SQUARE	1	13
	110	71035	KIT, RETURN	1	99, 101, 102, 103, 105, 107, 108
T, U	13	51596	TRUNNION ARM, TAPER SQUARE	1	13
	110	71036	KIT, RETURN	1	99, 101, 102, 103, 105, 107, 108
V, W	13	51596	TRUNNION ARM, TAPER SQUARE	1	13
	110	70899	KIT, RETURN	1	99, 101, 102, 106
Y	13	2000014	TRUNNION ARM, DOUBLE D	1	13
1	13	51596	TRUNNION ARM, TAPER SQUARE	1	13

ITEM #	COMPONENT #	DESCRIPTION	QTY	CONTAINS ITEMS:
12	70739	TRUNNION SEAL KIT	1	76, 77
14	2000015	SLOT GUIDE	1	14
17	51462	THRUST BALL BEARING ASSEMBLY	1	17
26	50641	PIN	2	26
28	52628	O-RING	1	28
31	51436	SWASHPLATE	1	31
100	70740	OVERHAUL SEAL KIT	1	100



PR SERIES SERVICE SCHEMATIC (P-16A)

MODEL NUMBER:

P	R
1	2

 -

3	4	5	6

 -

	*	*	
7	8	9	10

 -

*			
11	12	13	14

CHARACTER #:

1	2		

 -

3	4	5	6

 -

7	8	9	10

 -

11	12	13	14

BYPASS VALVE KITS

CHARACTER 9	ITEM #	COMPONENT #	DESCRIPTION	QTY
1	50	2513030	KIT, BYPASS	1
2		2513031	KIT, BYPASS	1

FAN KITS

CHARACTER 10	ITEM #	COMPONENT #	DESCRIPTION	QTY	CONTAINS ITEMS:
X	90	N/A	N/A	0	NONE
A	90	71287	KIT, FAN 6" CW	1	81,82,83,84
B	90	71287	KIT, FAN 6" CW	1	81,82,83,84
	209	52016	BRACKET, SHROUD	1	209
C	90	71287	KIT, FAN 6" CW	1	81,82,83,84
	209	52016	BRACKET, SHROUD	1	209
	210	52059	SHROUD, FAN	1	210
D	90	71287	KIT, FAN 6" CW	1	81,82,83,84
	209	52016	BRACKET, SHROUD	1	209
E	90	71287	KIT, FAN 6" CW	1	81,82,83,84
	209	52016	BRACKET, SHROUD	1	209
	210	52059	SHROUD, FAN	1	210
1	90	70916	KIT, FAN 7" CW	1	81,82,83,84
2	90	70888	KIT, FAN 7" CW	1	81,82,83,84
3	90	70618	KIT, FAN 6" CCW	1	81,82,83,84
4	90	70675	KIT, FAN 7" CCW	1	81,82,83,84
F	90	70888	KIT, FAN 7" CW	1	81,82,83,84
	209	52355	BRACKET, SHROUD	1	209
G	90	70888	KIT, FAN 7" CW	1	81,82,83,84
	209	52355	BRACKET, SHROUD	1	209
	210	52354	SHROUD, FAN	1	210
H	90	70888	KIT, FAN 7" CW	1	81,82,83,84
	209	52355	BRACKET, SHROUD	1	209
J	90	70888	KIT, FAN 7" CW	1	81,82,83,84
	209	52355	BRACKET, SHROUD	1	209
	210	52354	SHROUD, FAN	1	210

TORQUE BRACKET

CHARACTER 11	ITEM #	COMPONENT #	DESCRIPTION	QTY
X	60	N/A	N/A	0
1, 2, 3, 4, 7		51593	MOUNTING BRACKET	1

