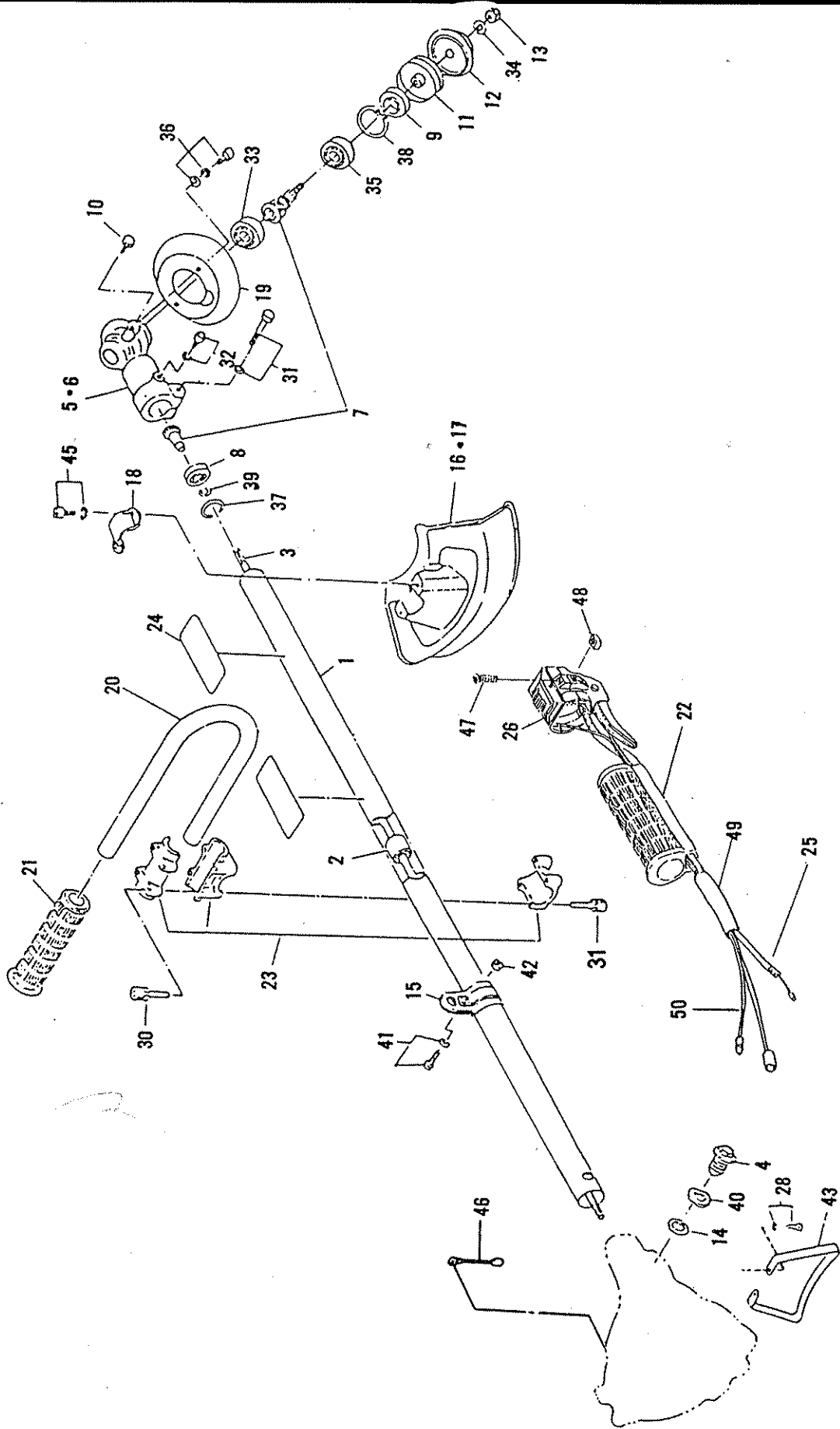




**GRASS TRIMMER/
BRUSH CUTTER**

MODEL NB231C

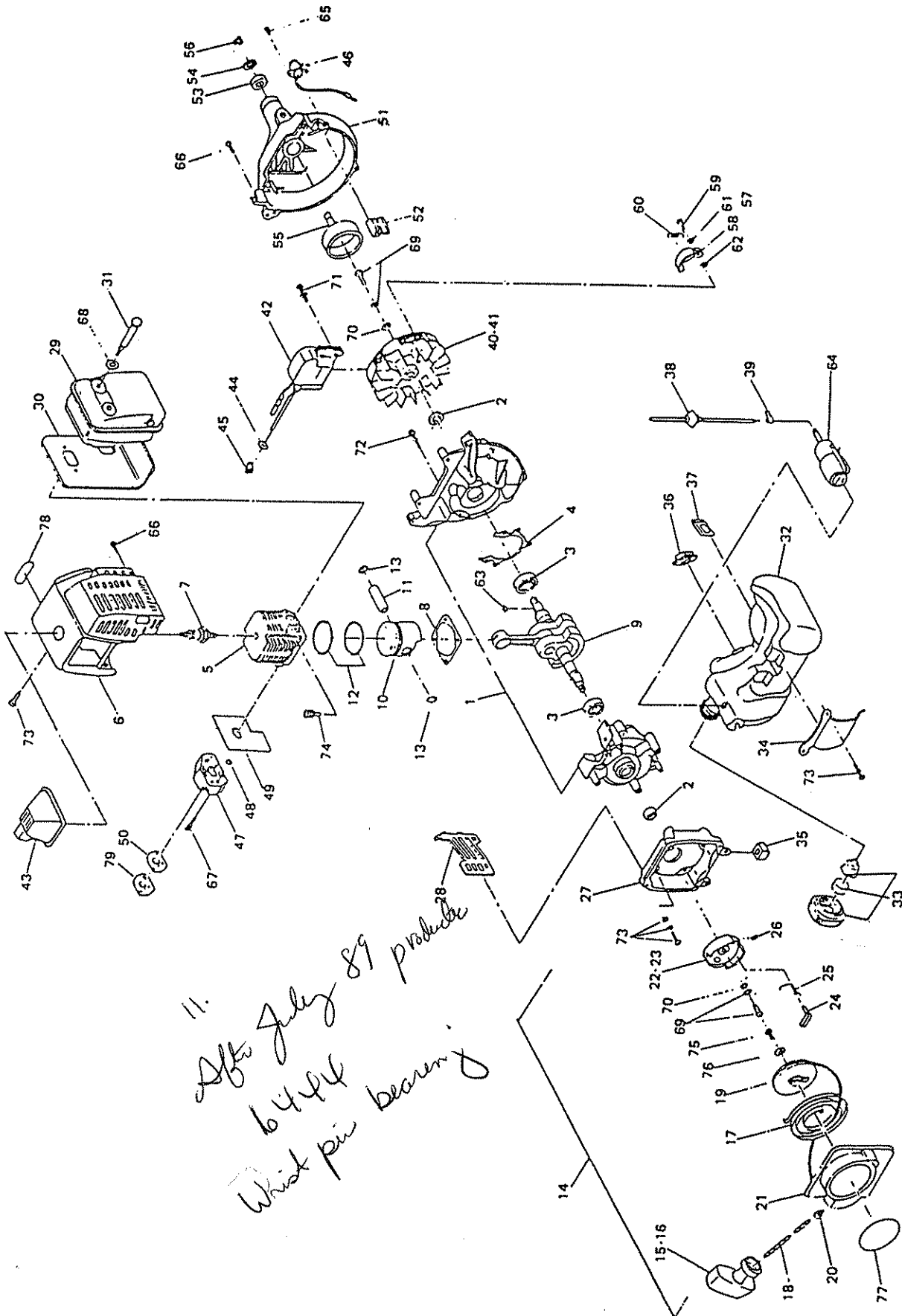
PARTS MANUAL



Machine body

NB231C

Ref. No.	Mfg.'s No.	Part Name	Our Part No.	Qty.	Ref. No.	Mfg.'s No.	Part Name	Our Part No.	Qty.
1	621 10040 00	Pipe case ass'y (incl. 2)	3506	1	41	00431 0514 0	Screw	8152	1
2	621 10030 00	Bearing compl.	3507	5	42	00227 0500 0	Nut (M5)	1703	1
3	621 15003 00	Long shaft	3508	1	43	621 55006 00	Stand	3526	2
4	621 10050 00	Damper pin	3509	1	45	0119 05985 0	Socket head bolt	6125	2
5	621 30110 00	Gear box ass'y (incl. 6-13, 37-39)	3510	1	46	616 55002 00	Wire	6907	1
6	621 30100 00	Gear box compl.	3511	1	47	0140 05981 0	Screw pan head	6905	2
7	621 30040 00	Gear Set	3512	1	48	541 50011 60	Nut	6906	2
8	621 25003 00	Ball bearing (#609ZZ)	3513	1	49	00919 1209 0	Clip, tube	6908	1
9	621 35005 00	Oil seal (TC 16267)	3514	1	50	6165003030	Wire	6908-1	1
10	641 35006 00	Bolt	3515	1					
11	621 85000 00	Washer (upper)	3516	1					
12	621 80030 00	Washer compl.	3517	1					
13	625 85005 01	Nut (M8L)	8029	1					
14	621 95004 00	Washer (M14)	3518	1					
15	625 40040 00	Hanger	8007	1					
16	625 80150 00	Safety cover ass'y (incl. 17, 18, 45)	8031	1					
17	625 80140 00	Safety cover	8032	1					
18	625 85037 00	Safety cover fixture	8033	1					
19	621 85002 00	Safety guard	3519	1					
20	620 45004 00	Handle	1153	1					
21	625 45000 00	Grip	6909	1					
22	621 45004 00	Grip	6721	1					
23	625 40070 00	Handle joint ass'y (incl. 29, 30)	8034	1					
24	640 95080 00	Label	3015	1					
25	615 55001 00	Control cable	6001	1					
26	621 50090 00	Control lever	6902	2					
28	0119 05995 0	Bolt (socket head) (M5x18)	1223	2					
29	0119 05969 0	Bolt (socket head) (M5x25)	3522	4					
30	0119 0584 0	Bolt (socket head) (M5x25)	8151	4					
31	0119 05989 0	Bolt (socket head) (M5x25)	8044	5					
32	0119 05990 0	Bolt (socket head) (M5x12)	3523	1					
33	621 35009 00	Ball bearing (#626)	3525	1					
34	0203 08999 0	Spring washer (M8L)	1440	1					
35	0600 10998 0	Ball bearing (#6000)	1386	1					
36	0119 05978 0	Socket head bolt (M5x12SW W)	6128	2					
37	00314 2400 0	Snap ring (inner)	1187	1					
38	00314 2600 0	Snap ring (inner)	6129	1					
39	00315 0800 0	Snap ring (outer)	6130	1					
40	00322 1400 0	Wave washer (M14)	6131	1					

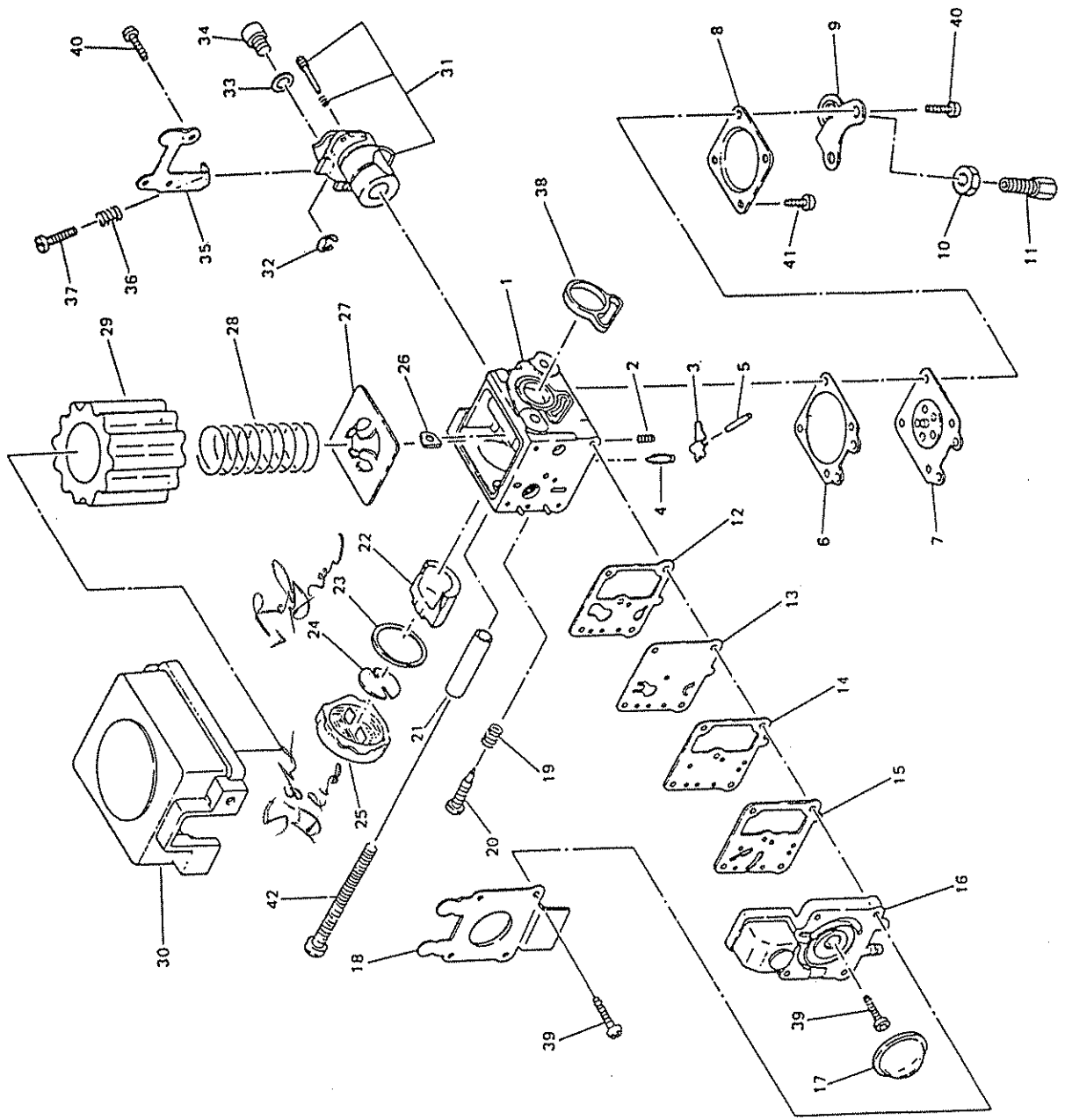


11.
After July 89 production
6444
Whist pin bearing

Engine body

NB231C

Ref. No.	Mfg.'s No.	Part Name	Our Part No.	Qty.	Ref. No.	Mfg.'s No.	Part Name	Our Part No.	Qty.
1	5211003000	Crankcase compl. (incl. 2-4)	6132	1	40	5217001000	Magneto ass'y (incl. 41, 42)	6164	1
2	0440 12999 1	Oil seal <i>2</i>	1002	2	41	5217001010	Flywheel	6165	1
3	0600 12992 0	Ball bearing <i>1</i>	1003	2	42	5217001020	Ignition coil	6166	1
4	5211500400	Crankcase packing <i>1</i>	6133	1	43	5217500000	Plug cap <i>6167</i>	6167	1
5	5231500000	Cylinder	3529	1	44	0241055000	Grommet	6168	1
6	5215500100	Main cover	6135	1	45	0654 00995 2	Plug cap spring	6169	1
7	0650 14981 0	Spark plug (NGK-BM7A)	BM7A	1	46	0662009840	Stop button compl.	6170	1
8	5231500200	Cylinder packing <i>2</i>	3531	1	47	5213004000	(WZ) Insulator ass'y (incl. 48) <i>3684</i>	6171	1
9	5212001002	Crankshaft compl. <i>6438</i>	6137	1	48	00217 0400 0	Nut (Insulator)	1112	2
10	5232500000	Piston <i>6440</i>	3533	1	49	5203500200	Insulator packing <i>6352</i>	6172	1
11	5242500100	Piston pin <i>1</i>	3534	1	50	5213501600	(WZ) Gasket <i>6173</i>	6173	1
12	5102501000	Piston ring <i>2</i>	3535	2	51	6215501000	Holder case	3537	1
13	0565 07999 0	Clip	1015	2	52	5215500300	Plate	6175	1
14	5215001000	Recoil starter compl. (incl. 15-26, 75, 76)	6141	1	53	6212500300	Ball bearing	6176	1
15	5215002000	Recoil starter ass'y (incl. 16-21, 75, 76)	6142	1	54	0031424000	Snap ring (inner)	1187	1
16	5215002110	Starter knob <i>7037</i>	7037	1	55	6212001000	Clutch drum compl.	6177	1
17	5215002030	Spiral spring <i>6143</i>	6143	1	56	0031508000	Snap ring (outer)	6130	1
18	5215002060	Starter rope	1021	1	57	6212003000	Clutch compl. (incl. 58-62)	6179	1
19	5215002020	Reel <i>2</i>	6144	1	58	6252500800	Clutch shoe	6180	2
20	5025001030	Rope guide	6145	1	59	6252500400	Clutch bolt <i>8013</i>	6181	2
21	5215002010	Starter case	6146	1	60	6252500600	Spring <i>3138</i>	6184	1
22	5215003000	Starter pulley compl. (incl. 23-26)	6147	1	61	P503-5131A	Washer <i>6182</i>	6183	1
23	5215003010	Starter pulley <i>2</i>	6148	1	62	NB02A-207	Washer <i>6486</i>	6184	1
24	5215003020	Ratchet	6149	1	63	00532 0310 1	Woodruff key (rear crankshaft)	1077	1
25	5215003030	Return spring	6150	1	64	5016500300	Filter <i>2</i>	3112	1
26	5215003040	E ring	6151	1	65	0150049970	Tapping screw	6186	2
27	5215500400	Recoil starter plate	6152	1	66	0150059990	Tapping screw	6187	4
28	5215500000	Protect cover	6153	1	67	0140059690	Plus & minus screw ass'y SW-W <i>6188</i>	6133	2
29	5233001000	Muffler ass'y <i>1</i>	3536	1	68	0200089870	Washer	6189	2
30	5213500200	Muffler gasket <i>2</i>	6155	1	69	00113 0616 0	Bolt ass'y	6190	2
31	5213500300	Muffler clamping bolt	6156	2	70	00312 0600 0	Washer	1395	2
32	5216500400	Fuel tank	6157	1	71	00431 0516 0	Screw	1074	2
33	5236012000	Fuel tank cap compl. <i>8056</i>	8056	1	72	00435 0525 0	Screw ass'y	6192	3
34	5216500300	Tank stay	6159	1	73	00436 0518 0	Screw ass'y	4226	9
35	5216500200	Rubber cushion <i>2</i>	6160	2	74	0119 05995 0	Bolt (socket head)	1223	2
36	5036500200	Rubber plate (1) <i>2</i>	6161	1	75	510501511C	Set screw	6194	1
37	5036500300	Rubber plate (2) <i>2</i>	6162	1	76	5215002040	Washer	6195	1
38	0851179990	Rubber tube compl. <i>2</i>	6163	1	77	6219503400	Label (Model)	3538	1
39	0561059990	Hose clamp	3114	1	78	5219500200	Trade mark	6197	1
					79	5103503400	Spacer (carburetor)	3123	1

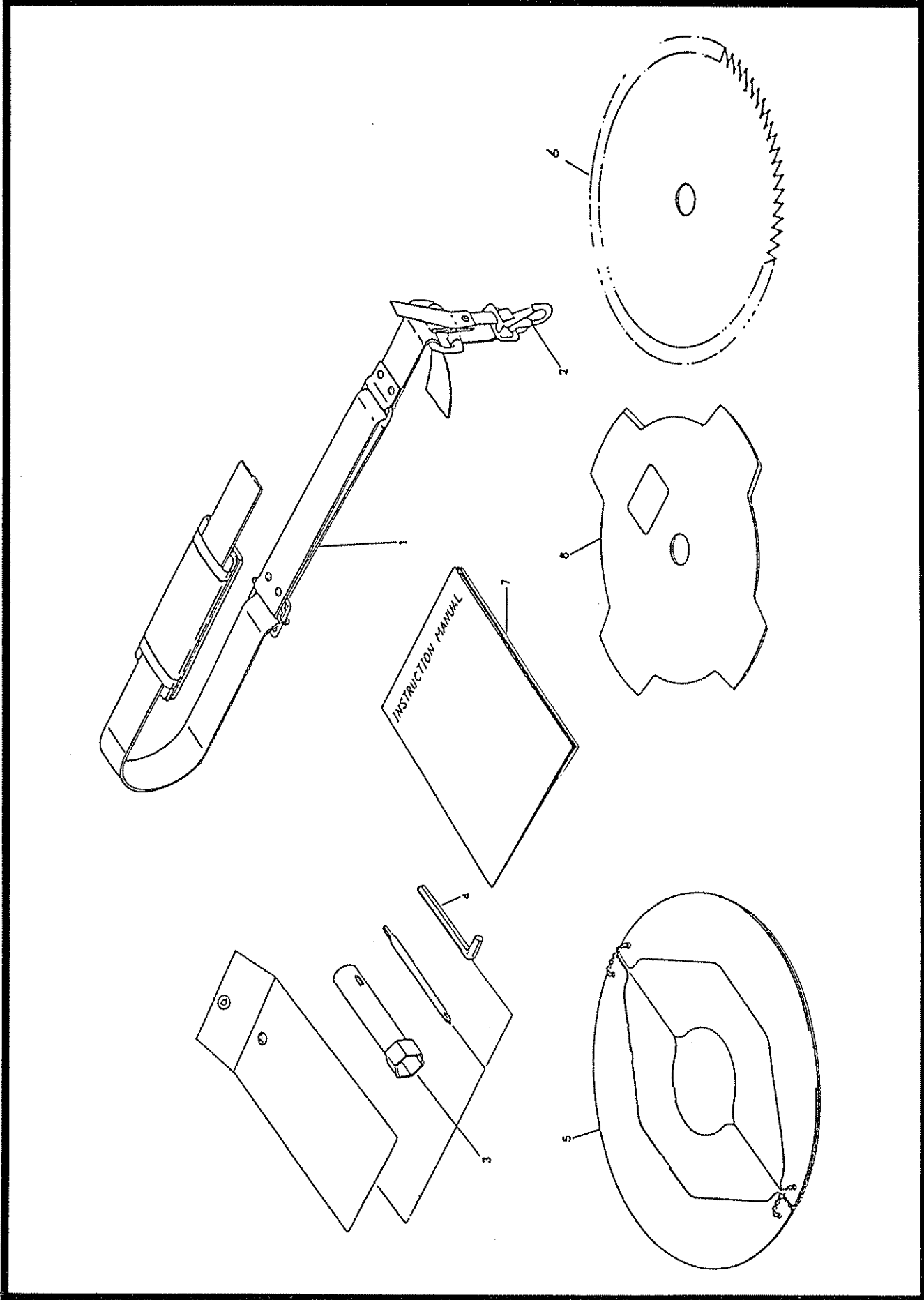


Carburetor

NB231C

3501

Ref. No.	Mfg.'s No.	Part Name	Our Part No.	Qty.	Ref. No.	Mfg.'s No.	Part Name	Our Part No.	Qty.
1	5236006000	Carburetor compl (incl. 2-41)	3538	1	40	5316005340	Screw	3175	4
2	5236006020	Spring, metering lever	3502	1	41	5316005320	Screw, metering cover	3173	2
3	5316005550	Lever, metering	3193	1	42	0140049840	Plus & minus screw ass'y W	3201	2
4	5316005150	Valve, inlet needle	3503	1					
5	5316005510	Pin, metering lever	3189	1					
6	5316005230	Gasket, metering diaphragm	3166	1					
7	5316005250	Diaphragm ass'y, metering	3171	1					
8	5316005030	Cover, metering diaphragm	3206	1					
9	5316005630	Bracket, cable	3198	1					
10	5316005450	Nut, cable adjust	3126	1					
11	5316005330	Screw, cable adjust	3120	1					
12	5316005220	Gasket, pump	3167	1					
13	5316005240	Diaphragm, pump	3170	1					
14	5316005520	Plate, pump	3192	1					
15	5316005210	Gasket, plate	3169	1					
16	5316005020	Cover ass'y, pump	3160	1					
17	5316005620	Primer, pump	3197	1					
18	5016002060	Bracket, primer pump	3194	1					
19	5316005350	Spring, high speed needle	3179	1					
20	5236006030	Needle, high speed	3181	1					
21	5316005430	Sleeve, mounting	8107	2					
22	5316005710	Filter, wick	8108	1					
23	5316005660	Gasket, intake cap	8109	1					
24	5316005650	Plate, wick	8110	1					
25	5316005640	Cap, intake	8111	1					
26	5316005540	Plate, mounting sleeve	8112	2					
27	5016002050	Plate, cleaner	3119	1					
28	5316005050	Spring, filter	8113	1					
29	5016002040	Filter, air	3117	1					
30	5016002010	Cover, air cleaner	3116	1					
31	5236006010	Valve ass'y, throttle	3504	1					
32	5316005120	Ring, spring retaining	8115	1					
33	5316005460	Washer	8116	1					
34	5316005110	Swivel	8117	1					
35	5016002110	Bracket, idle screw	8118	1					
36	5316005360	Spring, idle adjust	8119	1					
37	5316005260	Screw, idle adjust	3311	1					
38	5316005140	Ring, packing	8120	1					
39	5316005310	Screw, pump cover	3172	5					





MEMO

A large, empty rectangular box with a thick black border, intended for writing the memo's content.

()

()

()

Carswell Import & Marketing Associates, Inc./Carswell Distributing Company

3750 N. Liberty Street, Post Office Box 4193
WINSTON-SALEM, NORTH CAROLINA 27115-4193